



expanding experiences



NEXT 8365/8375

INSTALLATION AND OPERATION MANUAL

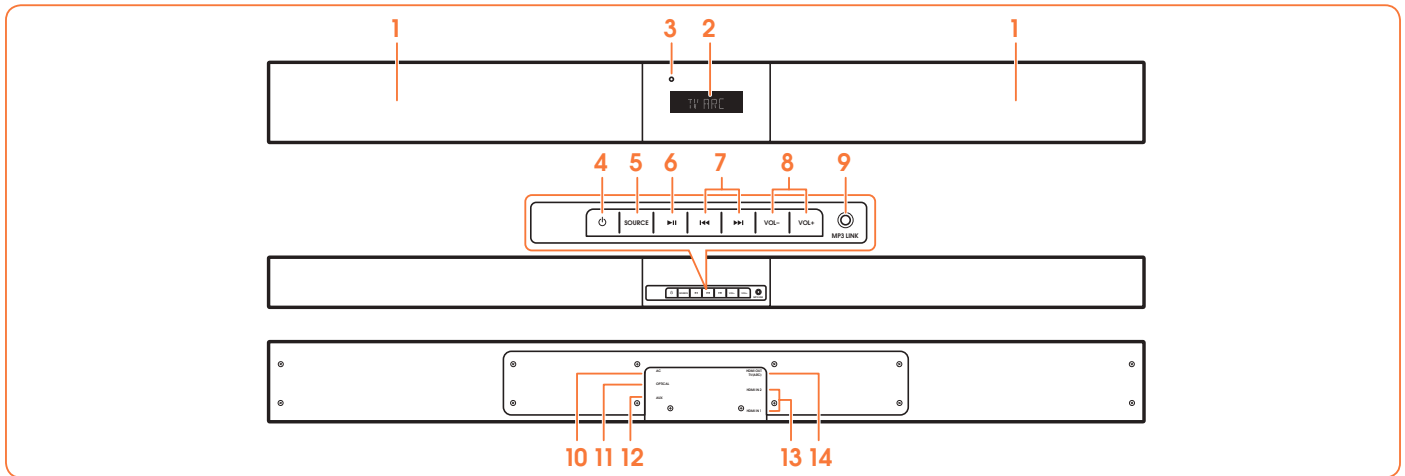
EN	Installation and operation manual	3
NL	Handleiding voor installatie en bediening	11
DE	Installations- und Betriebshandbuch	20
FR	Manuel d'installation et mode d'emploi	29
ES	Manual de instalación y uso	38
IT	Manuale d'installazione e utilizzo	47

EN CONTENTS

1 IDENTIFYING THE PARTS.....	4
1.1 Soundbar.....	4
1.2 Wireless subwoofer.....	5
1.3 Remote Control.....	5
2 PREPARATIONS	6
2.1 Preparing the Remote Control	6
2.2 Using the Remote Control for the first time.....	6
2.3 Replacing the Remote Control battery	6
3 CONNECTIONS	7
3.1 Standard HDMI (ARC) connection	7
3.2 MP3 Link connection.....	7
3.3 Power connection	7
3.4 Pairing the Wireless subwoofer with the Soundbar.....	8
Automatic pairing.....	8
Manual pairing.....	8
4 GENERAL OPERATION.....	8
4.1 Using the remote control of the TV	8
4.2 Using the supplied (Soundbar) remote control.....	8
Standby / ON	8
Selecting modes.....	9
Adjusting Super Bass Boost	9
Adjusting the treble level	9
Adjusting the volume	9
Selecting the equalizer	9
Adjusting the brightness of the display.....	9
Setting the Sleep Timer	9
5 AUX / MP3 LINK / OPTICAL / HDMI OPERATION.....	9
6 PLAY WITH YOUR BLUETOOTH DEVICE	9
6.1 Pair Bluetooth enabled devices manually	9
6.2 Connect your device to the Soundbar via Bluetooth.....	9
6.3 Listen to music from your Bluetooth device	10
7 WARNINGS AND DISCLAIMERS.....	10
7.1 Precautions concerning batteries.....	10
8 SPECIFICATIONS	10
9 SUPPLIED ACCESSORIES.....	10

1. IDENTIFYING THE PARTS

1.1 Soundbar



1 Speakers

2 Display / Remote Control Sensor

- Shows the current status.
- Receives the signal from the remote control.

3 Standby Indicator

Lights up red when the Soundbar is in STANDBY mode.

4

Switches the Soundbar between ON and STANDBY mode.

5 SOURCE

Switches between BT (Bluetooth), OPT (OPTICAL), AUX, HDMI 1, HDMI 2, HDMI ARC and MP3 LINK modes.

6

Play/pause/resume playback in Bluetooth mode.

7

Skip to previous track/skip to next track in Bluetooth mode.

8 VOL+ / VOL-

Increase/decrease the volume level.

9 MP3 LINK socket

Connects to an external audio device.

10 AC ~ socket

For connecting the power cord.

11 OPTICAL socket

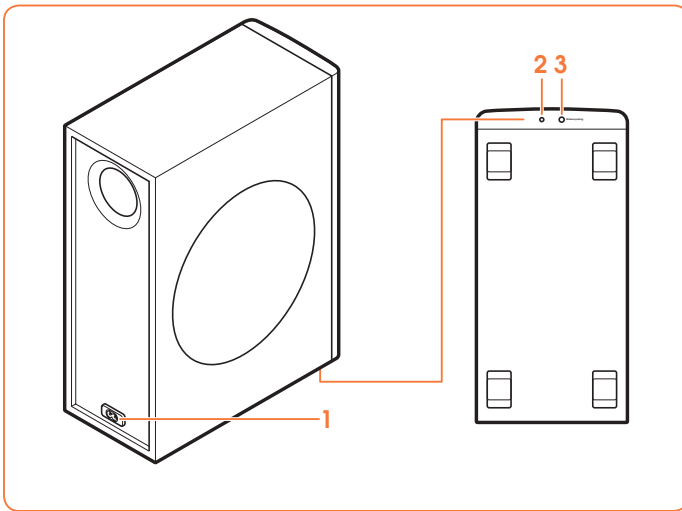
12 AUX socket

13 HDMI 1 /HDMI 2 sockets

14 HDMI OUT TV ARC socket

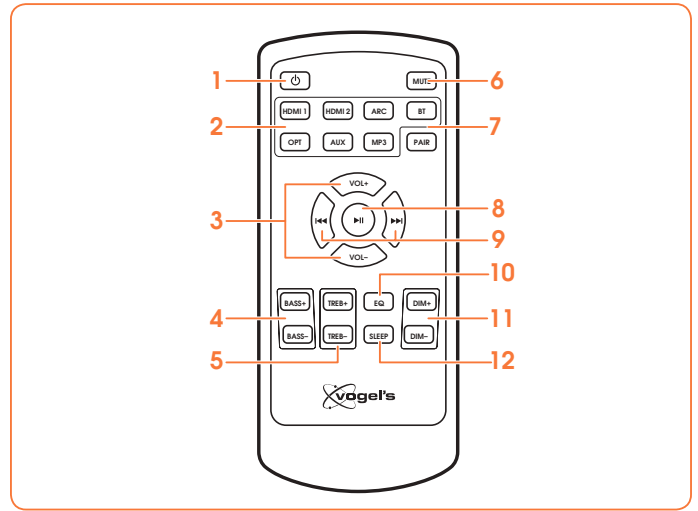
HDMI output (ARC).




1.2 Wireless subwoofer



- 1 AC - inlet**
Connects to the power cord.
- 2 Indicator**
Lights up when pairing is successful.
- 3 Wireless pairing button**
Connects to the Soundbar.

1.3 Remote Control



- 1** 
Switches the Soundbar between ON and STANDBY mode.
- 2 SOURCE**
Select the desired play mode.
- 3 VOL+ / VOL-**
Increase/decrease the volume level.
- 4 BASS+ / BASS-**
Adjust the bass level.
- 5 TREB+ / TREB-**
Adjust the treble level.
- 6 MUTE**
Mutes or resumes the sound.
- 7 PAIR**
- Activates the pairing function in Bluetooth mode.
- Disconnects the existing paired Bluetooth device.
- 8** 
Play/pause/resume playback in Bluetooth mode.
- 9** 
Skip to previous track/skip to next track in Bluetooth mode.
- 10 EQ**
Selects the preset equalizer.
- 11 DIM+ / DIM-**
Adjusts display brightness.
- 12 SLEEP**
Sets the sleep timer.

2. PREPARATIONS

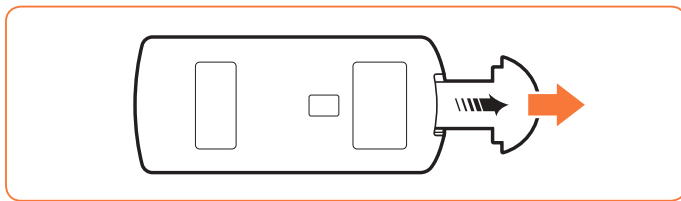
2.1 Preparing the Remote Control

The provided Remote Control allows the Soundbar to be operated from a distance.

- Even if the Remote Control is operated within the effective range (6m), remote control operation may be impossible if there are any obstacles between the Soundbar and the remote control.
- If the Remote Control is operated near other products which generate infrared rays, or if other remote control devices using infra-red rays are used near the Soundbar, it may operate incorrectly. Conversely, the other products may operate incorrectly.

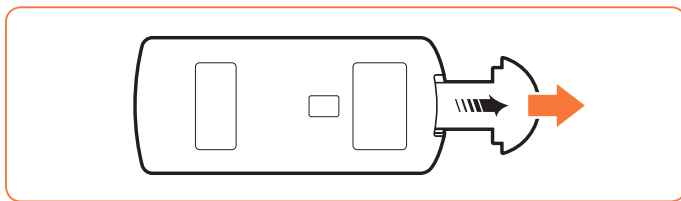
2.2 Using the Remote Control for the first time

The Soundbar has a pre-installed lithium CR2025 battery.



- Remove the protective tab to activate the Remote Control battery.

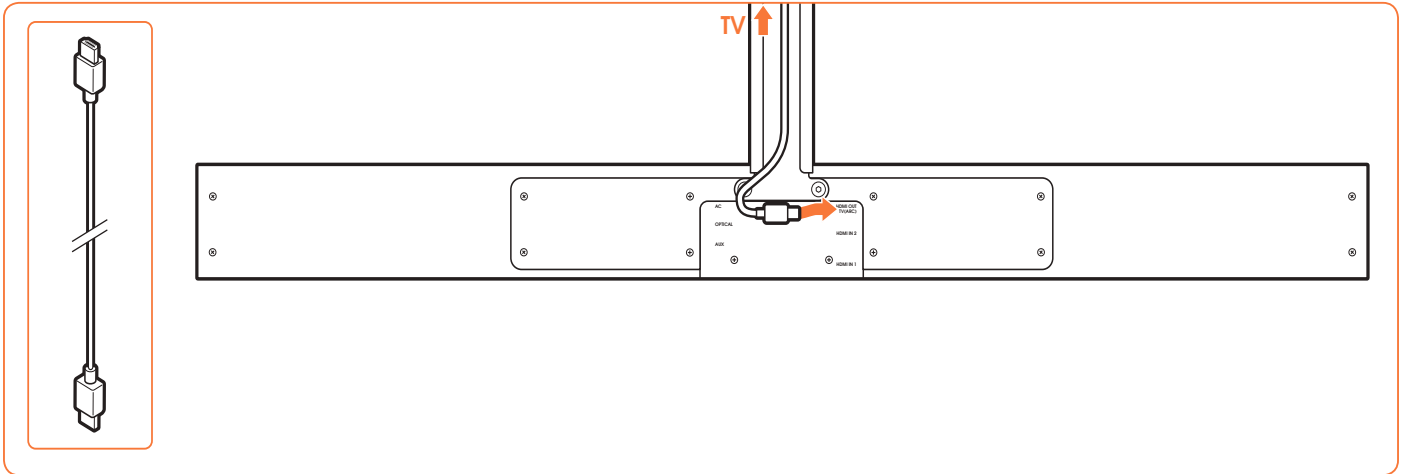
2.3 Replacing the Remote Control battery



- 1 Pull out the battery tray and remove the old battery.
- 2 Place a new CR2025 battery into the battery tray with correct polarity (+/-) as indicated.
- 3 Insert the battery tray back into the slot.

3. CONNECTIONS

3.1 Standard HDMI (ARC) connection



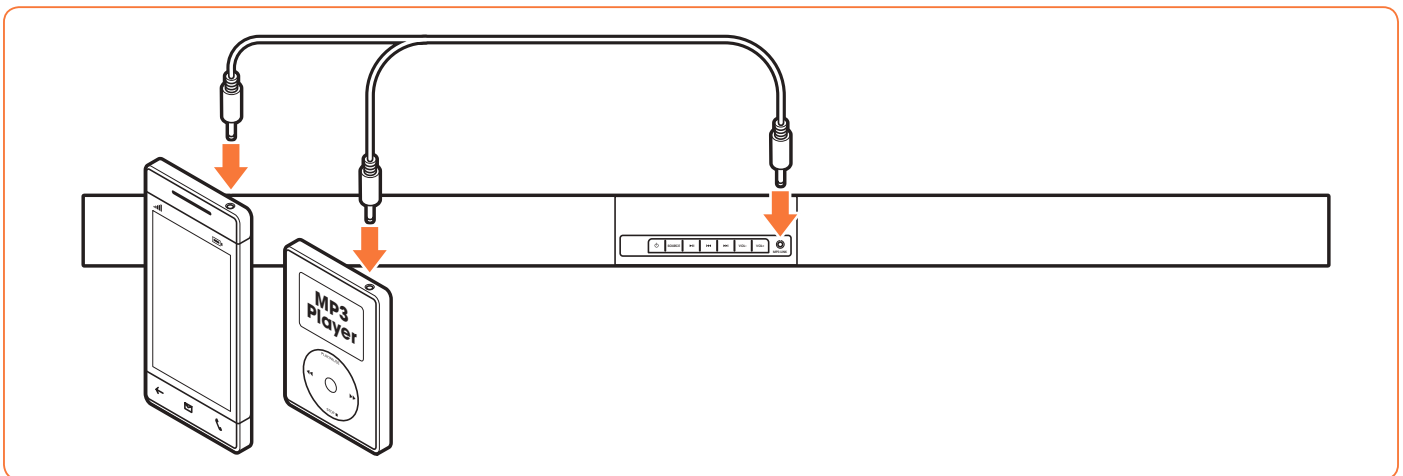
- The SoundMount configuration is based on a HDMI connection between the HDMI ARC socket of the Soundbar and the HDMI ARC socket of the TV.

Note!

ARC = Audio Return Channel.

- In case the TV is not equipped with an HDMI ARC socket, you can connect Soundbar and TV with an optical cable (not included).

3.2 MP3 Link connection



- Connect a 3.5mm to 3.5mm audio cable (not included) to the MP3 LINK socket (9) on the Soundbar and the audio output socket on an external audio device. For example an MP3 player, iPhone, etc.

3.3 Power connection




CAUTION!

- Risk of product damage! Make sure that the power supply voltage corresponds to the voltage printed on the back of the Soundbar and the subwoofer.
- Before connecting the AC power cord, make sure that you have completed all other connections.


3.4 Pairing the Wireless subwoofer with the Soundbar

Ex factory the Wireless subwoofer and Soundbar are paired.

Automatic pairing

- 1 Plug the dedicated SoundMount power cable into the Soundbar.
- 2 Plug the subwoofer into the mains sockets.
- 3 Press the  button on the Soundbar or on the remote control to switch the Soundbar ON.
 - > The subwoofer and soundbar will automatically pair within 30 seconds.
 - > When the subwoofer is pairing with the soundbar, the Indicator will flash rapidly.
 - > When the subwoofer is paired with the soundbar, the Indicator will light up constantly.
 - > During STANDBY mode, the subwoofer Indicator will go off and flash slowly.

Manual pairing

- 1 Plug the dedicated SoundMount power cable into the Soundbar.
- 2 Plug the subwoofer into the mains sockets.
- 3 Make sure that the Soundbar is in STANDBY mode.
- 4 Press and hold the Wireless pairing button on the bottom of the subwoofer for a few seconds.
 - > The subwoofer will enter the pairing mode and the Indicator will blink quickly.
- 5 Press the  button on the Soundbar or on the remote control to switch the Soundbar ON.
 - > After the wireless connection succeeds, the Indicator will light up constantly.
 - > If the Indicator still blinks or does not blink at all, the wireless connection has failed.
 - Unplug the cable of the subwoofer.
 - Reconnected the main cable after 3 minutes.
 - Repeat steps 1 - 5.

Notes!

- If the wireless connection fails again, check if there is a conflict or strong interference (for example, interference from an electronic device) around your location. Remove these conflicts or strong interferences and repeat the above procedures.
- The subwoofer must be within 6m of the Soundbar in an open area.
- If the Soundbar is not connected with the subwoofer and it is in On mode, then the message 'CHECK SUBWOOFER' will show on the display and the Indicator on the bottom of the subwoofer will blink. Repeat steps 1 - 5 above to pair the subwoofer to the Soundbar.

4. GENERAL OPERATION

4.1 Using the remote control of the TV

When the HDMI ARC socket of the Soundbar is connected to the HDMI ARC socket of the TV via the HDMI cable and the CEC function on the TV is activated in the setup menu of the TV, you can use the remote control of the TV to control the SoundMount (Soundbar and subwoofer).

- When the TV is switched ON, the SoundMount (Soundbar and subwoofer) will automatically switch ON.
- When the TV is switched to OFF / STANDBY, the SoundMount will automatically switch OFF (to STANDBY).
- When the SoundMount is ON, the sound volume can be controlled with the VOLUME - / VOLUME + and MUTE buttons on the remote control of the TV.

Note!

- To make it possible to control the SoundMount with the remote control of the TV, it is important that the HDMI CEC (Consumer Electronics Control) function is activated in the setup menu of the TV. This function has a different name for each TV brand: Anynet (Samsung), Aquos Link (Sharp), Bravia Sync (Sony), Regza Link (Toshiba), Simplink (LG), Viera Link Panasonic), EZ-Sync (JVC), Easylink (Philips), Netcommand (Mitsubishi). The internal TV speakers will automatically be disabled the moment the TV is switched ON and the Soundbar is switched on automatically.

4.2 Using the supplied (Soundbar) remote control



When the HDMI ARC socket of the Soundbar is connected to the HDMI ARC socket of the TV via the HDMI cable and the CEC function on the TV is activated in the setup menu of the TV, you can use the remote control of the TV to control the SoundMount (Soundbar and subwoofer). In this case, you only need the supplied (Soundbar) remote control for initial settings of personal preferences (TREBLE, BASS, brightness level of Soundbar display) and for controlling special functions like Bluetooth audio streaming.

In case the Soundbar and the TV are connected via an optical link, the supplied (Soundbar) remote control also must be used to control the SoundMount TV volume, source selection, etc..

It is not possible to control the sound volume with the remote control of the TV. Internal TV speakers must be switched off manually. See the setup menu of the TV.

Standby / ON

When you first connect the Soundbar to the mains socket, the Soundbar will be in STANDBY mode and the STANDBY Indicator lights red.

- Press the  button on the Soundbar or on the remote control of the TV to switch the Soundbar ON.
- Press the  button again to switch the Soundbar back to STANDBY mode.
 - > The Standby Indicator will light up red.
- Disconnect the mains plug from the mains socket if you want to switch the Soundbar off completely.

Note!

- When the Soundbar is idle for approximately 15 minutes, it will automatically switch to STANDBY mode.

Selecting modes

- Press the SOURCE button on the Soundbar repeatedly or press the HDMI 1 / HDMI 2 / ARC / BT (Bluetooth) / OPT (Optical) / AUX / MP3 buttons on the remote control to select the desired mode. The selected mode will be shown on the display.

Note!

- When the HDMI ARC socket of the Soundbar is connected to the HDMI ARC socket of the TV via the HDMI cable and the CEC function on the TV is activated in the setup menu of the TV, SOURCE selection will automatically switch to 'TV ARC' (SoundMount).

Adjusting Super Bass Boost

- Press the BASS + / BASS- buttons on the remote control to adjust the bass boost level from -3 to +3.
> The selected BASS level will automatically stored per source.

Adjusting the treble level

- Press the TREB + / TREB - buttons on the remote control to adjust the treble level from -3 to +3.
> The selected TREBLE level will automatically stored per source.

Adjusting the volume

- Press the VOL + / VOL - buttons on the Soundbar to adjust the volume.
- Press the MUTE button on the remote control of the TV to turn the sound off.
- Press the MUTE button on the remote control of the TV again or press the VOL+ button on the Soundbar to resume normal volume.

Selecting the equaliser

- Press the EQ button on the remote control to select equalizer setting MOVIE or SPEECH.
> After switching OFF and ON, the equalizer setting will automatically return to MOVIE mode.

Adjusting the brightness of the display

- Press the DIM+ / DIM- button on the remote control to select brightness level.
> The selected BRIGHTNESS level will automatically stored.

Setting the Sleep Timer

Use the SLEEP TIMER to turn the system off after a certain number of minutes in PLAY mode. By setting the SLEEP TIMER, you can fall asleep to music and know that your system will turn off by itself rather than play all night.

- 1 In ON mode, press the SLEEP button on the remote control repeatedly to select your desired number of minutes. The number of minutes will be displayed in the following sequence:
SLEEP 120 - SLEEP 90 - SLEEP 60 - SLEEP 30 - SLEEP 15 - SLEEP 00.
- 2 Stop pressing the SLEEP button when your desired number of minutes is displayed.
> The Sleep Timer is now set.
- 3 To cancel the SLEEP TIMER, press the SLEEP button repeatedly until 'SLEEP 00' is displayed.

5. AUX / MP3 LINK / OPTICAL / HDMI OPERATION

- 1 Make sure that the audio device is connected to the Soundbar.
- 2 Press the SOURCE button on the Soundbar repeatedly or press the HDMI 1 / HDMI 2 / ARC / OPT (OPTICAL) / AUX / MP3 buttons on the remote control of the Soundbar to select the desired mode.
- 3 Operate your audio device directly for playback features.
- 4 Press the VOL + / VOL - buttons on the Soundbar to adjust the volume to your desired level.

Note!

- You may need to switch to linear PCM (Pulse Code Modulation) output on your source device (for example TV, DVD or Blu-ray player) while the Soundbar is switched to OPTICAL or HDMI mode.
- A/V peripherals must be connected to the TV.

6. PLAY WITH BLUETOOTH DEVICE

You can listen to tracks from a media device if connected to the Soundbar via Bluetooth.

6.1 Pair Bluetooth enabled devices manually

The first time you connect your Bluetooth device to the Soundbar, you need to pair your device to the Soundbar.



CAUTION!

- The operational range between the Soundbar and the device is approximately 8 metres (without any object between the Bluetooth device and the Soundbar).
- Before connecting a Bluetooth device to the Soundbar, ensure you know the device's capabilities.
- Compatibility with all Bluetooth devices is not guaranteed.
- Obstacles between the device and the Soundbar can reduce operational range.
- If the signal strength is weak, your Bluetooth receiver may disconnect, but it will re-enter pairing mode automatically.

6.2 Connect your device to the Soundbar via Bluetooth

- 1 Switch the Soundbar ON.
- 2 Press the SOURCE button on the Soundbar repeatedly or the BT button on the remote control to select BT (Bluetooth) mode.
> The Display shows 'BT', then 'NO BT' (if there's no Bluetooth device connected).
- 3 Press the PAIR button on the remote control for a few seconds to activate Bluetooth pairing.
> The Display shows 'PAIR'.
- 4 Activate your Bluetooth device and select the SEARCH mode.
> 'Vogel's SoundMount' will appear on your Bluetooth device list.
- 5 Select 'Vogel's SoundMount' and enter '0000' for the password, if necessary.
> The display shows 'BLUEPORT' when the connection is successful.
- To disconnect the Bluetooth function, switch to another function on the Soundbar or disable the function from your Bluetooth device.

6.3 Listen to music from your Bluetooth device

- If the connected Bluetooth device supports Advanced Audio Distribution Profile (A2DP), you can listen to the music stored on the device through the player.
- If the device also supports Audio Video Remote Control Profile (AVRCP), you can use the Soundbar’s remote control to play music stored on the device.

- 1 Pair your device with the Soundbar.
- 2 Play music via your device (if it supports A2DP).
- 3 Use the remote control to control play (if it supports AVRCP).
 - Press the ►|| button to to pause/resume play.
 - Press the ◀◀ / ▶▶ buttons to jump to a track.

7. WARNINGS AND DISCLAIMERS

To keep the warranty valid, never try to repair the Soundbar and/or the Wireless subwoofer yourself. If you encounter problems when using the SoundMount, please contact your Vogel’s dealer.

Bluetooth and HDMI are registered trademarks and are the property of their respective owners.



The Bluetooth word mark and logos are registered trademarks owned by Bluetooth SIG, Inc. and any use of such marks by Vogel’s is under license. Other trademarks and trade names are those of their respective owners.



The term HDMI and the HDMI logo are trademarks or registered trademarks of HDMI Licensing LLC in the United States and other countries.

7.1 Precautions concerning Batteries

- When the Remote Control is not going to be used for a long time (more than a month), remove the battery from the Remote Control to prevent it from leaking.
- If the battery leaks, wipe away the leakage inside the battery compartment and replace the battery with a new one.
- Do not use any batteries other than those specified.
- Do not heat or disassemble batteries.
- Never throw them in fire or water.
- Do not carry or store batteries with other metallic objects as this may cause the batteries to short-circuit, leak or explode.
- Never recharge a battery unless it is confirmed to be a rechargeable type.

WEEE disposal instructions

Do not dispose of this device, the remote control or its battery with unsorted household waste. Improper disposal may be harmful to the environment and human health. Please refer to your local waste authority for information on return and collection systems in your area.



CE compliance

This product is in compliance with the essential requirements and other relevant provisions of Directives 2006/95/EC (Low Voltage), 2004/108/EC (EMC) and 2011/65/EU (ROHS, Restriction of the use of certain hazardous substances in electrical and electronic equipment).

8. SPECIFICATIONS

Soundbar

Power requirements.....	AC 220-240 V 50/60 Hz
Average power consumption during operation	60 W
Standby power consumption less than	0.5 W
Output power RMS	75 W x 2
Total harmonic distortion.....	1%(1 kHz, 1 W)
Audio input sensitivity.....	700 mV
Frequency response.....	180 Hz - 20 kHz
Total Impedance	6 Ω
Dimension (W x H x D).....	950 x 86 x 52 mm

Subwoofer

Power requirements	AC 220 - 240 V 50/60 Hz
Average power consumption during operation	60 W
Standby power consumption less than	0.5 W
Output power	150 W
Frequency response	40 Hz - 150 Hz
Impedance	3 Ω
Dimension (W x H x D).....	419 X 312 x 150 mm

Remote Control

Distance.....	6 m
Angle	30°

9. SUPPLIED ACCESSORIES

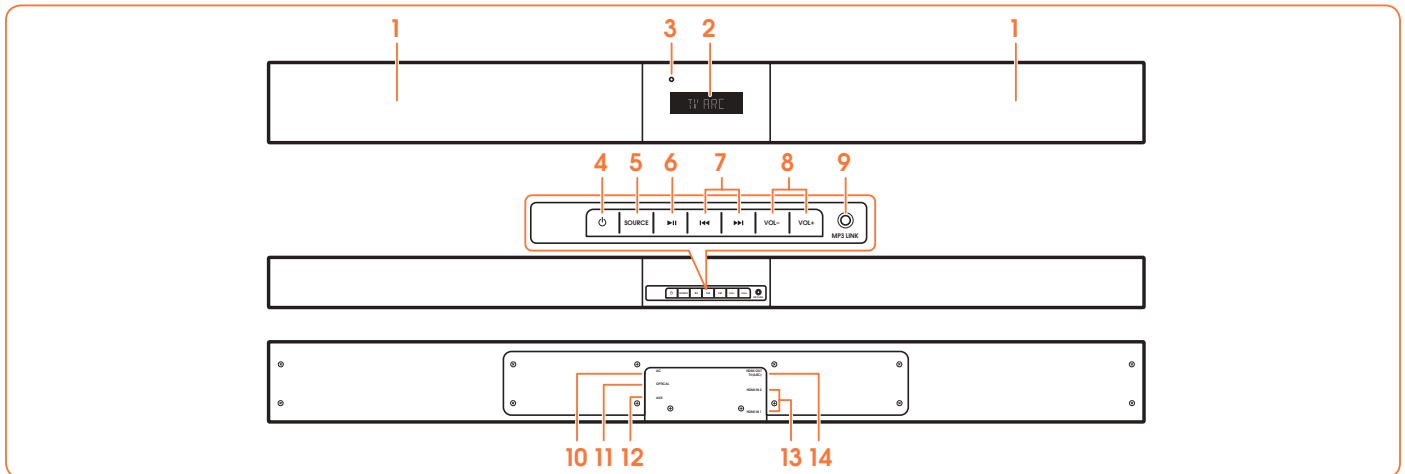
AC Power Cord	2 x
HDMI Cable	1 x
Remote Control	1 x

NL INHOUD

1 ONDERDELEN.....	12
1.1 Soundbar.....	12
1.2 Draadloze subwoofer.....	13
1.3 Afstandsbediening.....	13
2 VOORBEREIDING.....	14
2.1 De afstandsbediening voorbereiden.....	14
2.2 De afstandsbediening voor de eerste keer gebruiken.....	14
2.3 De batterij van de afstandsbediening vervangen.....	14
3 AANSLUITINGEN.....	15
3.1 Standaard HDMI-aansluiting (ARC).....	15
3.2 MP3 Link-aansluiting.....	15
3.3 Aansluiting op netvoeding.....	15
3.4 De draadloze subwoofer koppelen met de soundbar.....	16
Automatisch koppelen.....	16
Handmatig koppelen.....	16
4 ALGEMENE BEDIENING.....	16
4.1 De afstandsbediening van de tv gebruiken.....	16
4.2 De meegeleverde afstandsbediening (soundbar) gebruiken.....	16
Stand-by / AAN.....	17
Modi selecteren.....	17
Super Bass Boost aanpassen.....	17
Hogetonenniveau aanpassen.....	17
Volume regelen.....	17
Equalizer selecteren.....	17
Helderheid van het display aanpassen.....	17
Sleep timer instellen.....	17
5 AUX / MP3 LINK / OPTICAL / HDMI SELECTEREN.....	17
6 AFSPLEN VIA BLUETOOTH-APPARAAT.....	18
6.1 Handmatig apparaten met Bluetooth koppelen.....	18
6.2 Apparaat met soundbar verbinden via Bluetooth.....	18
6.3 Muziek luisteren vanaf uw Bluetooth-apparaat met Bluetooth.....	18
7 WAARSCHUWINGEN EN AFWIJZING VAN AANSPRAKELIJKHEID.....	18
7.1 Voorzorgsmaatregelen betreffende batterijen.....	18
8 SPECIFICATIES.....	19
9 MEEGELEVERDE ACCESSOIRES.....	19

1. ONDERDELEN

1.1 Soundbar



1 Luidsprekers

2 Display / Sensor van afstandsbediening

- Geeft de huidige status weer.
- Ontvangt het signaal van de afstandsbediening.

3 Standby lampje

Licht rood op wanneer de unit in de STAND-BY modus staat.

4

Schakelt de soundbar tussen AAN en STAND-BY.

5 SOURCE

Schakelt tussen BT (Bluetooth), OPT (OPTICAL), AUX, HDMI 1, HDMI 2, HDMI ARC en MP3 LINK.

6

Afspelen/pauzeren/afspelen hervatten in Bluetooth-modus

7

Over slaan naar vorige nummer/overslaan naar volgende nummer in Bluetooth-modus.

8 VOL+ / VOL-

Volume harder/zachter.

9 MP3 LINK-ingang

Ingang voor extern audioapparaat.

10 Ingang voor voeding

Voor aansluiting van het netsnoer.

11 OPTICAL-ingang

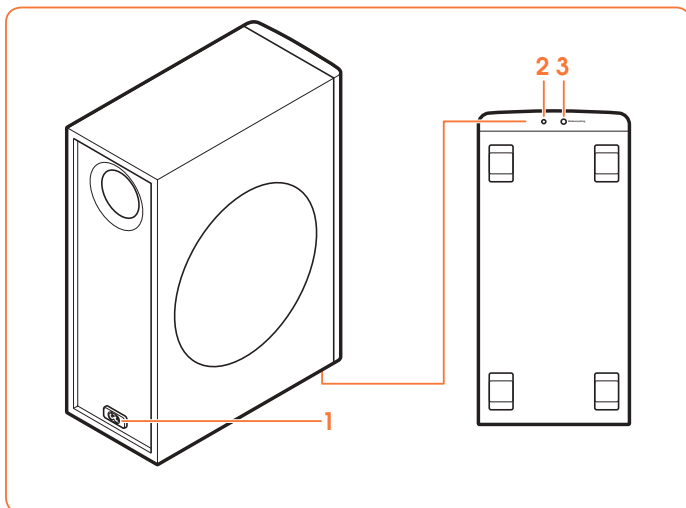
12 AUX-ingang

13 HDMI 1/HDMI 2-ingang

14 HDMI UIT TV ARC-uitgang

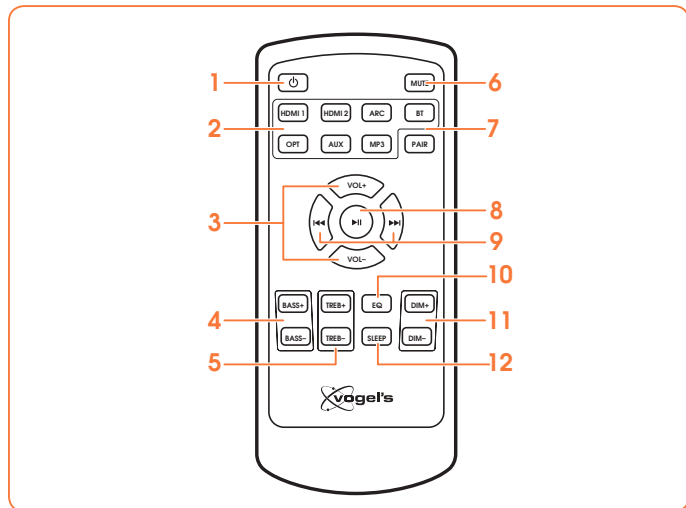
HDMI uitgang (ARC).

1.2 Draadloze subwoofer



- 1 Ingang voor voeding**
Voor aansluiting van het netsnoer.
- 2 Indicatielampje**
Licht op wanneer de koppeling is geslaagd.
- 3 Knop voor draadloze koppeling**
Maakt verbinding met de Soundbar.

1.3 Afstandsbediening



- 1** Schakelt de Soundbar tussen AAN en STAND-BY.
- 2 SOURCE**
Gewenste afspeelmodus selecteren.
- 3 VOL+ / VOL-**
Volume harder/zachter.
- 4 BASS+ / BASS-**
Basniveau aanpassen.
- 5 TREB+ / TREB-**
Hogetonenniveau aanpassen.
- 6 MUTE**
Geluid dempen of hervatten.
- 7 PAIR**
 - Activeert de koppel functie in Bluetooth-modus
 - Verbreekt de bestaande koppeling met Bluetooth-apparaat.
- 8** Afspelen/pauze/afspelen hervatten in Bluetooth-modus
- 9** Overslaan naar vorige nummer/overslaan naar volgende nummer in Bluetooth-modus.
- 10 EQ**
Vooraf ingestelde equalizer selecteren.
- 11 DIM+ / DIM-**
Helderheid display aanpassen.
- 12 SLEEP**
Sleep timer instellen.

2. VOORBEREIDING

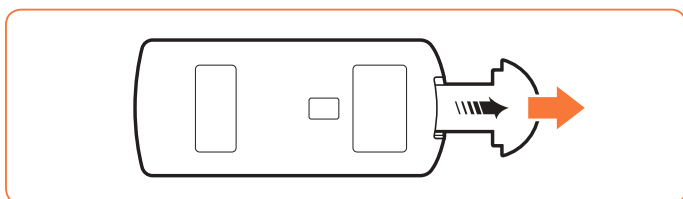
2.1 De afstandsbediening voorbereiden

Met de meegeleverde afstandsbediening kan de Soundbar op afstand worden bediend.

- Als de afstandsbediening binnen het juiste bereik (6 m) wordt gebruikt, maar er bevinden zich obstakels tussen de Soundbar en de afstandsbediening, is het mogelijk dat deze niet naar behoren werkt.
- Ook als de afstandsbediening wordt gebruikt in de buurt van andere producten die infraroodstralen genereren, of als er andere afstandsbedieningen met infraroodstralen in de buurt van de Soundbar worden gebruikt, is het mogelijk dat de afstandsbediening niet naar behoren werkt. De werking van de andere producten kan in een dergelijk geval ook worden verstoord.

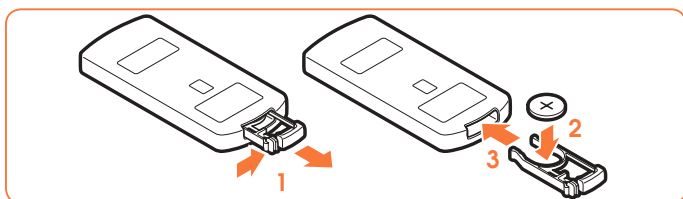
2.2 De afstandsbediening voor de eerste keer gebruiken

De soundbar bevat al een lithium CR2025-batterij.



- Verwijder het beschermplasje om de batterij van de afstandsbediening te activeren.

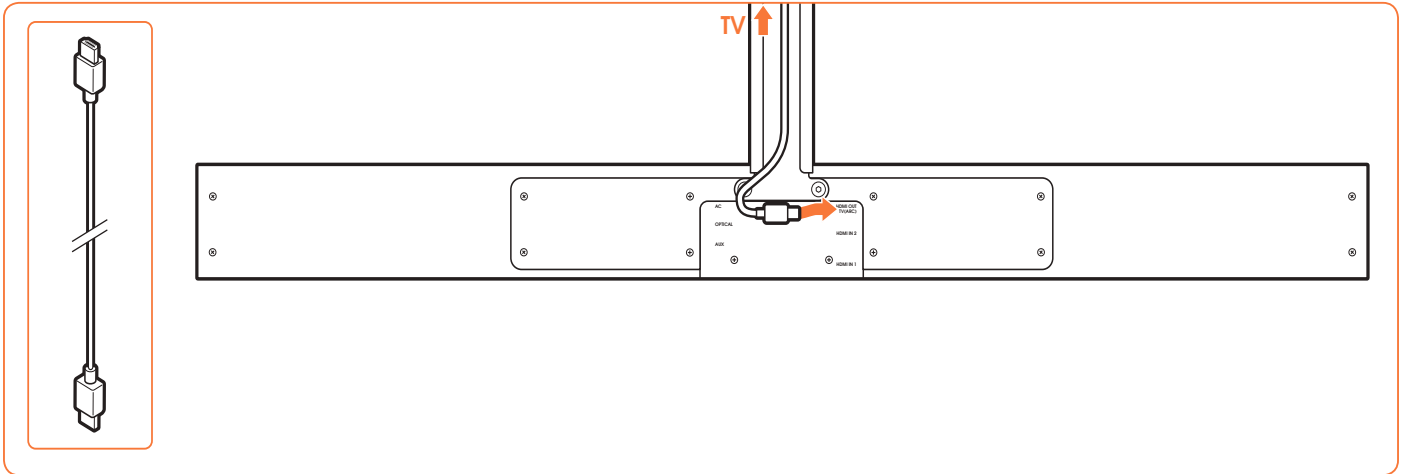
2.3 De batterij van de afstandsbediening vervangen



- 1 Trek het batterijcompartiment uit de afstandsbediening en verwijder de oude batterij.
- 2 Plaats een nieuwe CR2025-batterij in het batterijcompartiment met de polen (+/-) in de aangegeven positie.
- 3 Plaats het batterijcompartiment terug in de sleuf.

3. AANSLUITINGEN

3.1 Standaard HDMI-aansluiting



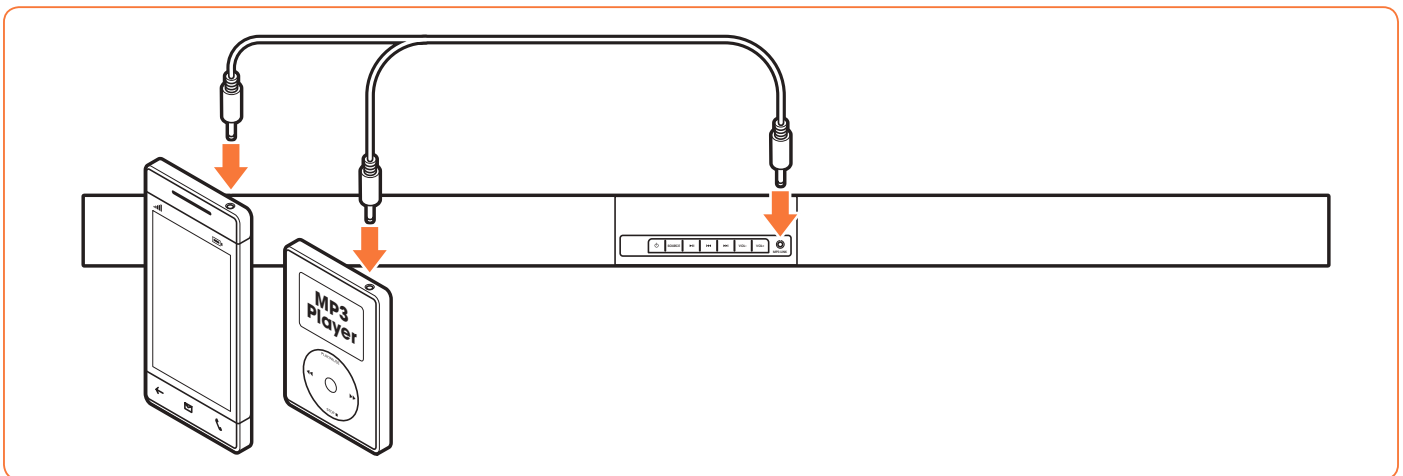
- De SoundMount-configuratie is gebaseerd op een HDMI-verbinding tussen de HDMI ARC-aansluiting van de Soundbar en de HDMI ARC-aansluiting op de tv.

Let op!

ARC = Audio Return Channel.

- Als de tv niet is voorzien van een HDMI ARC-aansluiting, dan kunt u de soundbar en de tv met een optische kabel (niet meegeleverd) met elkaar verbinden.

3.2 MP3 Link-aansluiting



- Sluit een audiokabel met aan beide zijden een 3,5 mm stekker (niet meegeleverd) aan op de MP3 LINK-ingang op de soundbar en op de audio-uitgang op een extern apparaat. Bijvoorbeeld een MP3-speler, iPhone, enzovoorts.

3.3 Aansluiting op de netvoeding




PAS OP!

- Gevaar voor beschadiging van het product! Controleer of het voltage van de netvoeding overeenkomt met het voltage dat op de achterkant van de Soundbar en de subwoofer is afgedrukt.
- Zorg ervoor dat alle andere verbindingen zijn voltooid voordat u het netsnoer aansluit.

3.4 De draadloze subwoofer koppelen met de Soundbar

De draadloze subwoofer en de Soundbar zijn af fabriek gekoppeld.

Automatisch koppelen

- 1 Sluit de speciale SoundMount-voedingskabel aan op de Soundbar.
- 2 Sluit de subwoofer aan op de netvoeding.
- 3 Druk op de  knop op de Soundbar of op de afstandsbediening om de Soundbar AAN te zetten.
 - > Binnen 30 seconden worden subwoofer en Soundbar automatisch gekoppeld.
 - > Wanneer de subwoofer aan de Soundbar wordt gekoppeld, knippert het indicatorlampje snel.
 - > Wanneer de subwoofer aan de Soundbar is gekoppeld, brandt het indicatorlampje constant.
 - > In de standby modus knippert het lampje van de subwoofer langzaam.

Handmatig koppelen

- 1 Sluit de speciale SoundMount-voedingskabel aan op de Soundbar.
- 2 Sluit de subwoofer aan op de netvoeding.
- 3 Zorg ervoor dat de Soundbar in de STANDBY modus staat.
- 4 Houd de knop voor draadloos koppelen op de onderkant van de subwoofer enkele seconden ingedrukt.
 - > De subwoofer gaat in de koppelingsmodus en het indicatorlampje knippert snel.
- 5 Druk op de knop op de Soundbar of op de afstandsbediening om de soundbar AAN te zetten.
 - > Nadat de draadloze verbinding tot stand is gebracht, brandt het indicatorlampje constant.
 - > Als het lampje blijft knipperen of helemaal niet brandt, is de koppeling mislukt.
 - Haal de stekker van de subwoofer uit het stopcontact.
 - Steek de stekker na 3 minuten opnieuw in het stopcontact.
 - Herhaal stap 1 - 5.

Let op!

- Als de draadloze verbinding opnieuw mislukt, controleer dan of er in de omgeving een ander apparaat is dat kan conflicteren of storen. Verwijder eventuele storende apparaten en herhaal de bovenstaande procedure.
- De subwoofer moet zich binnen 6 meter van de Soundbar bevinden, zonder obstakels ertussen.
- Als de Soundbar niet met de subwoofer is verbonden en wel is ingeschakeld, wordt de melding 'CHECK SUBWOOFER' op het display weergegeven en knippert het indicatorlampje op onderkant van de subwoofer. Herhaal bovenstaande stappen 1 - 5 om de subwoofer aan de soundbar te koppelen.

4. ALGEMENE BEDIENING

4.1 De afstandsbediening van de tv gebruiken

Wanneer de HDMI ARC-aansluiting op de Soundbar via de HDMI-kabel is verbonden met de HDMI ARC-aansluiting van de tv, en de CEC-functie op de tv wordt geactiveerd in het installatiemenu van de tv, dan kunt u de afstandsbediening van de tv gebruiken om de SoundMount (Soundbar en subwoofer) te bedienen.

- Wanneer de tv wordt ingeschakeld (ON), wordt de SoundMount (Soundbar en subwoofer) automatisch ook ingeschakeld.
- Wanneer de tv wordt uitgeschakeld (OFF / STANDBY), wordt de SoundMount automatisch ook uitgeschakeld (naar STANDBY).
- Wanneer de SoundMount is ingeschakeld, kan het volume van het geluid worden aangepast met de knoppen VOLUME - / VOLUME + en MUTE op de afstandsbediening van de tv.

Let op!

- Om de SoundMount te kunnen bedienen met de afstandsbediening van de tv, is het belangrijk dat de HDMI CEC-functie (Consumer Electronics Control) in het installatiemenu van de tv wordt geactiveerd. Deze functie heeft bij elk merk tv een andere naam: Anynet (Samsung), Aquos Link (Sharp), Bravia Sync (Sony), Regza Link (Toshiba), Simplink (LG), Viera Link (Panasonic), EZ-Sync (JVC), Easylink (Philips), Netcommand (Mitsubishi). De interne tv-luidsprekers worden automatisch uitgeschakeld op het moment dat de tv wordt ingeschakeld en ook de Soundbar automatisch wordt ingeschakeld.

4.2 De meegeleverde afstandsbediening (Soundbar) gebruiken



Wanneer de HDMI ARC-aansluiting op de Soundbar via de HDMI-kabel is verbonden met de HDMI ARC-aansluiting van de tv, en de CEC-functie op de tv wordt geactiveerd in het installatiemenu van de tv, dan kunt u de afstandsbediening van de tv gebruiken om de SoundMount (Soundbar en subwoofer) te bedienen.

In dit geval hebt u de meegeleverde afstandsbediening (Soundbar) alleen nodig voor de eerste instellingen of persoonlijke voorkeuren (TREBLE, BASS, helderheid van het Soundbar display) en voor speciale functies als audio-streaming via Bluetooth.

Als de Soundbar en de tv via een optische koppeling zijn verbonden, moet de meegeleverde afstandsbediening (Soundbar) ook worden gebruikt om het volume, de bronselectie, enzovoorts, van de SoundMount en de tv te regelen. Het is niet mogelijk om het geluidsvolume met de afstandsbediening van de tv te regelen. De interne tv-luidsprekers moeten handmatig worden uitgeschakeld. Zie het installatiemenu van de tv.

Standby / AAN

Wanneer u de Soundbar voor het eerst op netvoeding aansluit, wordt de STANDBY modus geactiveerd en licht het STANDBY lampje rood op.

- Druk op de  knop op de Soundbar of op de afstandsbediening van de tv om de Soundbar AAN te zetten.
- Druk opnieuw op de  knop om de Soundbar weer in de STANDBY modus te zetten.
> Het stand-by lampje licht rood op.
- Haal de stekker uit het stopcontact als u de Soundbar volledig wilt uitschakelen.

Let op!

- Wanneer de Soundbar ongeveer 15 minuten inactief is, schakelt het apparaat automatisch over naar de STANDBY modus

Modi selecteren

- Druk herhaaldelijk op de knop SOURCE op de Soundbar of druk op de knop HDMI 1 / HDMI 2 / ARC / BT (Bluetooth) / OPT (Optical) / AUX / MP3 op de afstandsbediening om de gewenste modus te selecteren. De gekozen modus wordt op het display weergegeven.

Let op!

- Wanneer de HDMI ARC-aansluiting op de Soundbar via de HDMI-kabel is verbonden met de HDMI ARC-aansluiting van de tv, en de CEC-functie op de tv wordt geactiveerd in het installatiemenu van de tv, dan wordt de SOURCE automatisch ingesteld op 'TV ARC' (Sound-Mount).

Super Bass Boost aanpassen

- Druk op BASS + / BASS – op de afstandsbediening om het bass boost-niveau aan te passen van –3 to +3.
> Het gekozen BASS-niveau wordt automatisch per bron opgeslagen.

Hogetonenniveau aanpassen

- Druk op TREB + / TREB – op de afstandsbediening om het hogetonenniveau aan te passen van –3 to +3.
> Het gekozen TREBLE-niveau wordt automatisch per bron opgeslagen.

Volume regelen

- Druk op VOL + / VOL – op de Soundbar om het volume te regelen.
- Druk op MUTE op de afstandsbediening van de tv om het geluid uit te zetten.
- Druk nogmaals op MUTE op de afstandsbediening van de tv of druk op de knop VOL+ op de Soundbar om terug te keren naar het normale volume.

Equalizer selecteren

- Druk op EQ op de afstandsbediening om de equalizer-instelling MOVIE of SPEECH te kiezen.
> Na in- en uitschakelen wordt de equalizer automatisch ingesteld op de MOVIE modus.

Helderheid van het display aanpassen

- Druk op DIM+ / DIM- op de afstandsbediening om het helderheidsniveau te selecteren.
> Het gekozen BRIGHTNESS-niveau wordt automatisch opgeslagen.

Sleep timer instellen

Met de SLEEP TIMER kunt u het systeem na een bepaald aantal minuten in de PLAY-modus uitschakelen.

Wanneer u de SLEEP TIMER instelt, kunt u met muziek in slaap vallen zonder dat het systeem de hele nacht blijft spelen. Na het ingestelde aantal minuten schakelt het systeem zichzelf uit.

- 1 Druk, terwijl het systeem is ingeschakeld, herhaaldelijk op SLEEP op de afstandsbediening om het gewenste aantal minuten te selecteren. Het aantal minuten wordt in de volgende volgorde weergegeven: SLEEP 120 - SLEEP 90 - SLEEP 60 - SLEEP 30 - SLEEP 15 - SLEEP 00.
- 2 Druk niet meer op SLEEP als het gewenste aantal minuten wordt weergegeven.
> De sleep timer is nu ingesteld.
- 3 U schakelt de SLEEP TIMER uit door herhaaldelijk op SLEEP te drukken, totdat 'SLEEP 00' wordt weergegeven.

5. AUX / MP3 LINK / OPTICAL / HDMI SELECTEREN

- 1 Controleer of het audioapparaat is verbonden met de soundbar.
- 2 Druk herhaaldelijk op de knop SOURCE op de Soundbar of druk op de knop HDMI 1 / HDMI 2 / ARC / OPT (OPTICAL) / AUX / MP3 op de afstandsbediening van de Soundbar om de gewenste modus te selecteren.
- 3 De afspeelfuncties regelt u op het audioapparaat.
- 4 Druk op VOL + / VOL – op de soundbar om het volume te regelen.

Let op!

- Het is mogelijk dat u naar de lineair PCM-uitgang (Pulse Code Modulation) moet overschakelen op het bronapparaat (bijvoorbeeld tv, dvd of Blu-ray-speler) wanneer de Soundbar in de modus OPTICAL of HDMI staat.
- A/V-randapparatuur moet op de tv worden aangesloten.

6. AFspeLEN VIA APPARAAT MET BLUETOOTH

U kunt naar muziek van een media-apparaat luisteren als dit via Bluetooth met de Soundbar is verbonden.

6.1 Handmatig apparaten met Bluetooth koppelen

De eerste keer dat u een apparaat via Bluetooth met de soundbar verbindt, moet het apparaat aan de Soundbar worden gekoppeld.



PAS OP!

- De maximale afstand tussen de Soundbar en het apparaat is ongeveer 8 meter (zonder obstakels tussen het apparaat met Bluetooth en de Soundbar).
- Zorg ervoor dat u de mogelijkheden van het Bluetooth-apparaat kent, voordat u dit verbindt met de Soundbar.
- Compatibiliteit met alle Bluetooth-apparatuur wordt niet gegarandeerd.
- Obstakels tussen het apparaat en de Soundbar kunnen het bereik verminderen.
- Als de signaalsterkte zwak is, kan uw Bluetooth-ontvanger de verbinding verbreken, maar het apparaat keert automatisch terug naar de koppelingsmodus.

6.2 Apparaat met soundbar verbinden via Bluetooth

- 1 Schakel de Soundbar in.
 - 2 Druk herhaaldelijk op SOURCE op de Soundbar of op BT op de afstandsbediening om de BT-modus (Bluetooth) te selecteren.
> Op het display wordt 'BT' weergegeven en vervolgens 'NO BT' (als er geen Bluetooth-apparaat is verbonden).
 - 3 Druk enkele seconden op PAIR op de afstandsbediening om de Bluetooth-koppeling te activeren.
> Op het display wordt 'PAIR' weergegeven.
 - 4 Activeer uw Bluetooth-apparaat en selecteer de modus SEARCH.
> 'Vogel's SoundMount' wordt op uw lijst met Bluetooth-apparaten weergegeven.
 - 5 Selecteer 'Vogel's SoundMount' en geef zo nodig '0000' als wachtwoord op.
> Op het display wordt 'BLUEPORT' weergegeven wanneer de verbinding tot stand is gebracht.
- Om de Bluetooth-functie uit te schakelen, kiest u een andere functie op de Soundbar of schakelt u de functie uit vanaf uw Bluetooth-apparaat.

6.3 Muziek luisteren vanaf uw apparaat met Bluetooth

- Als het verbonden Bluetooth-apparaat Advanced Audio Distribution Profile (A2DP) ondersteunt, kunt u via de speler naar muziek luisteren die op het apparaat staat.
- Als het apparaat ook Audio Video Remote Control Profile (AVRCP) ondersteunt, kunt u de afstandsbediening van de Soundbar gebruiken om muziek te luisteren die op het apparaat is opgeslagen.

- 1 Koppel het apparaat met de Soundbar.
 - 2 Speel muziek af via het apparaat (als het A2DP ondersteunt).
 - 3 Gebruik de afstandsbediening voor de bediening (als het apparaat AVRCP ondersteunt).
- Druk op **▶||** om het afspelen te pauzeren en te hervatten.
 - Druk op **◀◀ / ▶▶** om naar een bepaald nummer te gaan.

7. WAARSCHUWINGEN EN AFWIJZING VAN AANSPRAKELIJKHEID

Probeer nooit de Soundbar en/of de subwoofer zelf te repareren, want dan vervalt de garantie. Neem contact op met uw Vogel's dealer als zich problemen voordoen bij het gebruik van de SoundMount.

Bluetooth en HDMI zijn gedeponeerde handelsmerken en het eigendom van hun respectieve eigenaren.



Het woordmerk en de logo's van Bluetooth zijn gedeponeerde handelsmerken van Bluetooth SIG, Inc. en het gebruik van dergelijke merktekens door Vogel's gebeurt onder licentie. Andere handelsmerken en handelsnamen zijn eigendom van hun respectieve eigenaars.



De term HDMI en het HDMI-logo zijn handelsmerken of geregistreerde handelsmerken van HDMI Licensing LLC in de Verenigde Staten en andere landen.

7.1 Voorzorgsmaatregelen betreffende batterijen

- Verwijder de batterij wanneer u de afstandsbediening gedurende langere tijd niet gebruikt (langer dan een maand). Dit voorkomt dat de batterij gaat lekken.
- Mocht de batterij lekken, veeg dan het batterijcompartiment schoon en vervang de batterij door een nieuwe.
- Gebruik geen andere batterijen dan het opgegeven type.
- Verhit of demonteer batterijen nooit.
- Gooi batterijen nooit in open vuur of in water.
- Bewaar batterijen niet in de buurt van andere metalen objecten; de batterijen kunnen dan kortsluiten, lekken of exploderen.
- Laad een batterij nooit opnieuw op, tenzij u zeker weet dat het een oplaadbare batterij betreft.

Instructies voor verwijdering (WEE)

Gooi dit apparaat, de afstandsbediening of de batterij nooit bij huishoudelijke restafval. Onjuiste verwijdering kan schadelijk zijn voor mens en milieu. Raadpleeg de plaatselijke voorschriften voor inzameling en verwijdering van afval in uw regio.



CE-conform

Dit product voldoet aan de essentiële vereisten en overige relevante bepalingen van de richtlijnen 2006/95/EC (laagspanning), 2004/108/EC (EMC) en 2011/65/EU (ROHS, beperking van het gebruik van bepaalde gevaarlijke stoffen in elektrische en elektronische apparatuur).

8. SPECIFICATIES

Soundbar

Voedingsvereisten AC 220-240 V 50/60 Hz
Gemiddeld energieverbruik tijdens werking.....60 W
Energieverbruik in stand-by minder dan.....0,5 W
Uitgangsvermogen RMS 75 W x 2
Totale harmonische vervorming..... 1% (1 kHz, 1 W)
Audio-ingangsgevoeligheid700 mV
Frequentierespons..... 180 Hz - 20 kHz
Totale impedantie 6 Ω
Afmetingen (B x H x D)..... 950 x 86 x 52 mm

Subwoofer

Voedingsvereisten AC 220 - 240 V 50/60 Hz
Gemiddeld energieverbruik tijdens werking.....60 W
Energieverbruik in stand-by minder dan.....0,5 W
Uitgangsvermogen 150 W
Frequentierespons.....40 Hz - 150 Hz
Impedantie 3 Ω
Afmetingen (B x H x D).....419 x 312 x 150 mm

Afstandsbediening

Afstand.....6 m
Hoek..... 30°

9. MEEGELEVERDE ACCESSOIRES

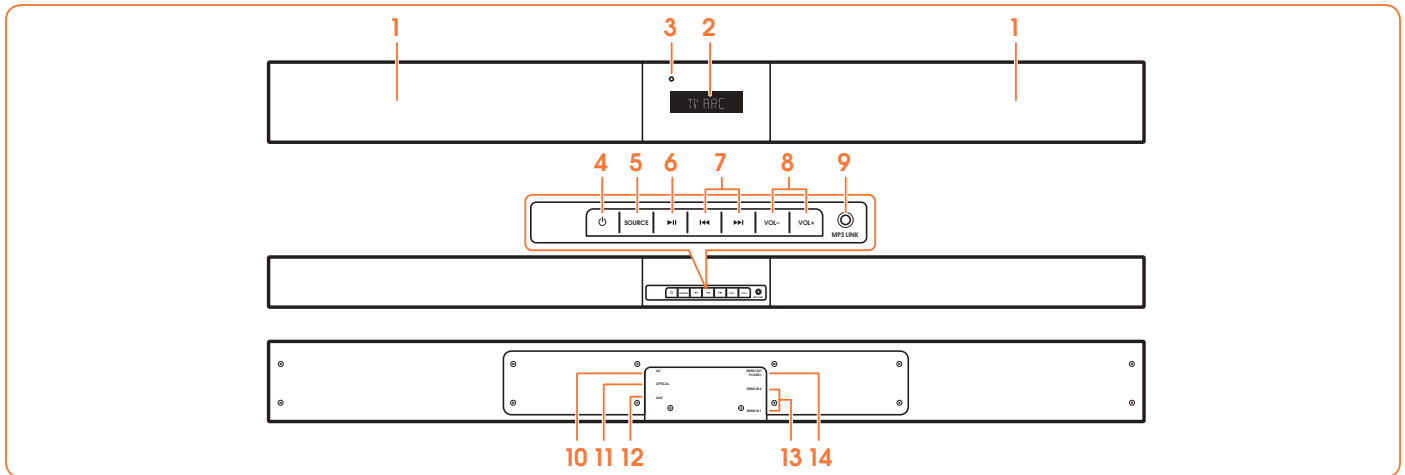
Netsnoer 2 x
HDMI-kabel 1 x
Afstandsbediening 1 x

DE INHALT

1	TEILE BESTIMMEN	21
1.1	Soundbar	21
1.2	Kabelloser Subwoofer	22
1.3	Fernbedienung	22
2	VORBEREITUNG	23
2.1	Vorbereiten der Fernbedienung	23
2.2	Fernbedienung zum ersten Mal verwenden	23
2.3	Austauschen der Batterie der Fernbedienung	23
3	ANSCHLÜSSE.....	24
3.1	Standard-HDMI(ARC)-Anschluss.....	24
3.2	MP3-Link-Anschluss.....	24
3.3	Netzanschluss	24
3.4	Kabelloser Subwoofer mit der Soundbar koppeln	25
	Automatische Kopplung	25
	Manuelle Kopplung	25
4	ALLGEMEINER BETRIEB	25
4.1	Fernbedienung des Fernsehers verwenden.....	25
4.2	Mitgelieferte (Soundbar-)Fernbedienung verwenden	25
	Standby/EIN.....	26
	Modi auswählen	26
	Super Bass Boost einstellen.....	26
	Höhenpegel einstellen	26
	Lautstärke einstellen	26
	Equalizer auswählen.....	26
	Helligkeit der Anzeige einstellen	26
	Einschlaffunktion einstellen.....	26
5	AUX/MP3-LINK/OPTISCH/HDMI-BETRIEB.....	26
6	MIT IHREM BLUETOOTH-GERÄT ABSPIELEN.....	27
6.1	Bluetoothfähige Geräte manuell aktivieren.....	27
6.2	Ihr Gerät über Bluetooth mit der Soundbar verbinden	27
6.3	Musik mit ihrem Bluetoothgerät abspielen	27
7	WARNHINWEISE UND HAFTUNGSAUSSCHLUSS	27
7.1	Hinweise zur Batterienutzung	27
8	SPEZIFIKATIONEN	28
9	IM LIEFERUMFANG ENTHALTENES ZUBEHÖR	28

1. TEILE ZUORDNEN

1.1 Soundbar



1 Lautsprecher

2 Anzeige-/Fernsteuerungssensor

- Zeigt den aktuellen Status an.
- Empfängt das Signal von der Fernsteuerung.

3 Standby -Anzeige

Leuchtet rot, wenn sich die Einheit im STANDBY-Modus befindet.

4

Umschalten der Soundbar zwischen EIN und STANDBY.

5 SOURCE (QUELLE)

Umschalten zwischen BT (Bluetooth), OPT (OPTISCH), AUX, HDMI 1, HDMI 2, HDMI ARC und MP3 LINK.

6

Abspielen/Pause/Wiedergabe fortsetzen im Bluetooth-Modus.

7

Zum vorherigen/nächsten Titel springen im Bluetooth-Modus.

8 VOL+ / VOL-

Erhöhen/Verringern der Lautstärke

9 MP3-LINK-Buchse

Connects to an external audio device.

10 AC~-Buchse

Für den Anschluss eines Netzkabels.

11 OPTICAL (OPTISCH) -Buchse

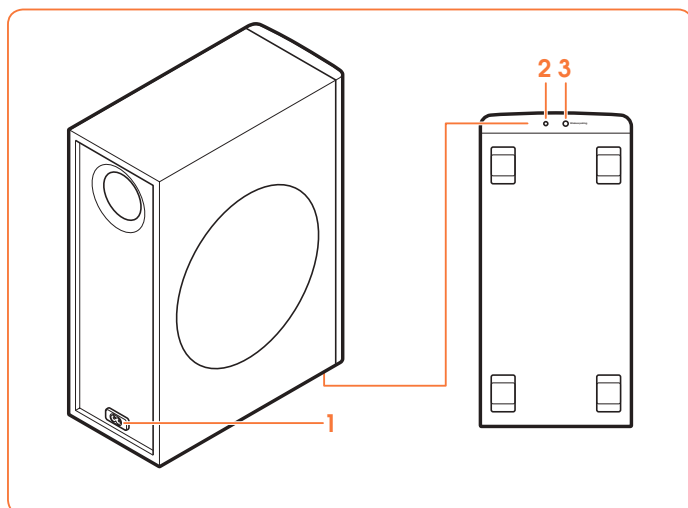
12 AUX-Buchse

13 HDMI-1-/HDMI-2-Buchse

14 HDMI OUT TV ARC-Buchse

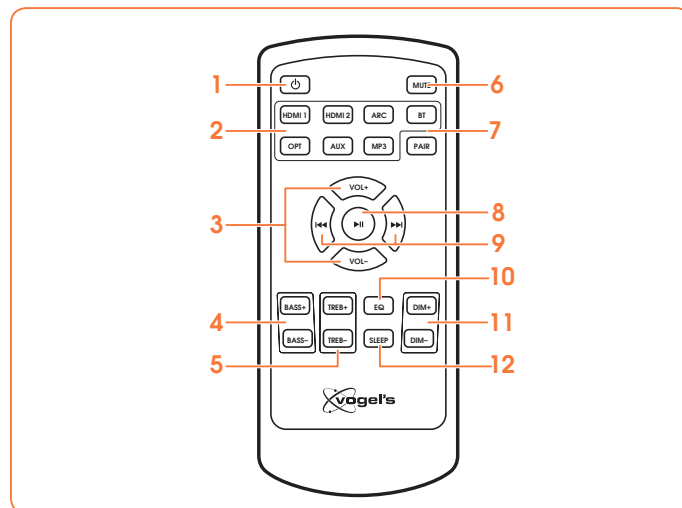
HDMI-Output (ARC).

1.2 Kabelloser Subwoofer



- 1 AC --Einlass**
Verbindung mit dem Netzkabel
- 2 Anzeige**
Leuchtet, wenn die Kopplung erfolgreich war.
- 3 Kabellose Kopplungsschaltfläche**
Verbindung mit der Soundbar.

1.3 Fernbedienung



- 1**  Umschalten der Soundbar zwischen EIN und STANDBY.
- 2 SOURCE (QUELLE)**
Auswahl des gewünschten Kopplungsmodus.
- 3 VOL+ / VOL-**
Erhöhen/Verringern der Lautstärke
- 4 BASS+ / BASS-**
Einstellen des Basspegels.
- 5 TREB+ / TREB-**
Höhenpegel einstellen.
- 6 MUTE (STUMM)**
Stummschalten oder Ton wieder aktivieren.
- 7 PAIR (KOPPLUNG)**
- Aktiviert die Kopplungsfunktion im Bluetooth-Modus.
- Trennen der gekoppelten Bluetoothgeräte.
- 8**  Abspielen/Pause/Wiedergabe fortsetzen im Bluetooth-Modus.
- 9**  Zum vorherigen/nächsten Titel springen im Bluetooth-Modus.
- 10 EQ**
Standard-Equalizer auswählen.
- 11 DIM+ / DIM-**
Anzeigehelligkeit einstellen.
- 12 SLEEP (EINSCHLAFFUNKTION)**
Einschlaffunktion einstellen.

2. VORBEREITUNGEN

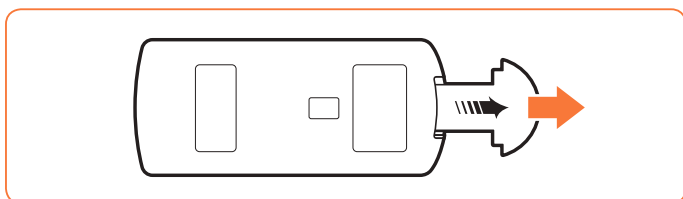
2.1 Vorbereiten der Fernbedienung

Die mitgelieferte Fernsteuerung ermöglicht die Bedienung der Einheit aus Entfernung.

- Auch wenn die Fernsteuerung innerhalb der Funktionsreichweite von 6 m bedient wird, kann die Bedienung nicht funktionieren, wenn sich zwischen der Soundbar und der Fernsteuerung Hindernisse befinden.
- Wenn die Fernsteuerung neben anderen Geräten bedient wird, die Infrarotstrahlung aussenden oder wenn eine andere Fernsteuerung mit Infrarotstrahlen nahe der Soundbar verwendet wird, kann es zu Funktionsstörungen kommen. Ebenso kann es zu Funktionsstörungen bei den anderen Geräten kommen.

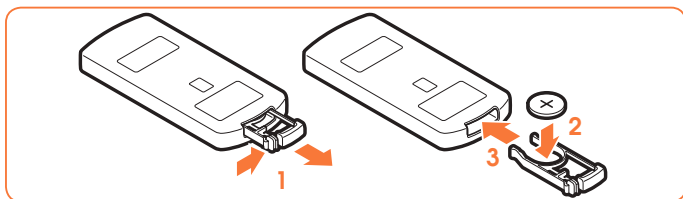
2.2 Fernbedienung zum ersten Mal verwenden

Die Soundbar ist mit einer bereits eingelegten Lithium-CR2015-Batterie ausgestattet.



- Entfernen Sie die Schutzabdeckung, um die Fernbedienung zu aktivieren. Batterie prüfen.

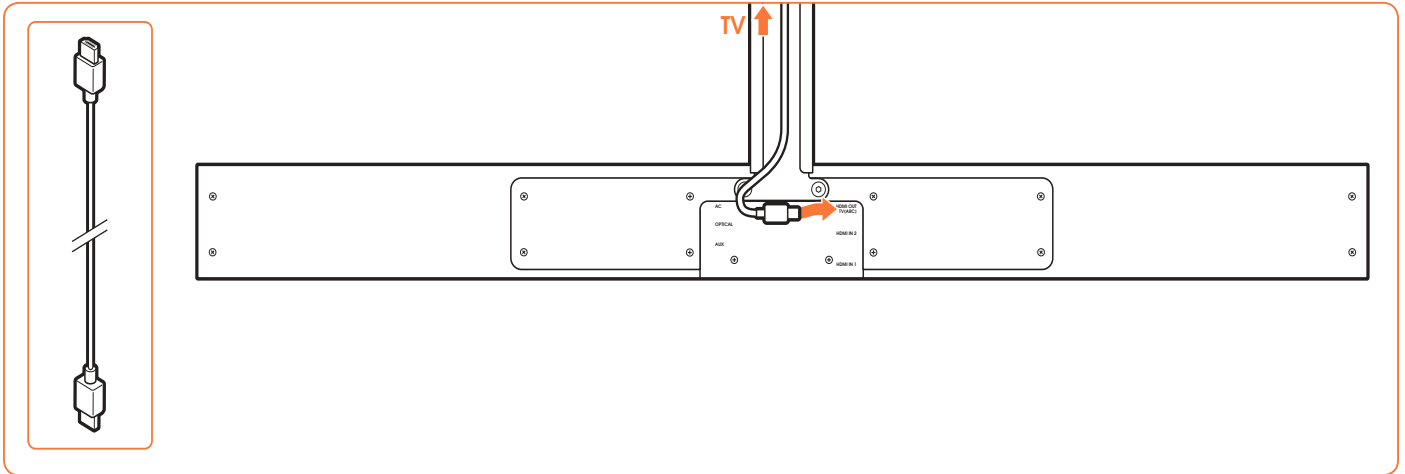
2.3 Austauschen der Batterie der Fernsteuerung



- 1 Schieben Sie das Batteriefach heraus und entnehmen Sie die alte Batterie.
- 2 Legen Sie eine neue CR2025-Batterie mit der korrekten Ausrichtung der Pole (+/-) wie angezeigt in das Batteriefach.
- 3 Schieben Sie das Batteriefach wieder zurück.

3. ANSCHLÜSSE

3.1 Standard-HDMI-Anschluss



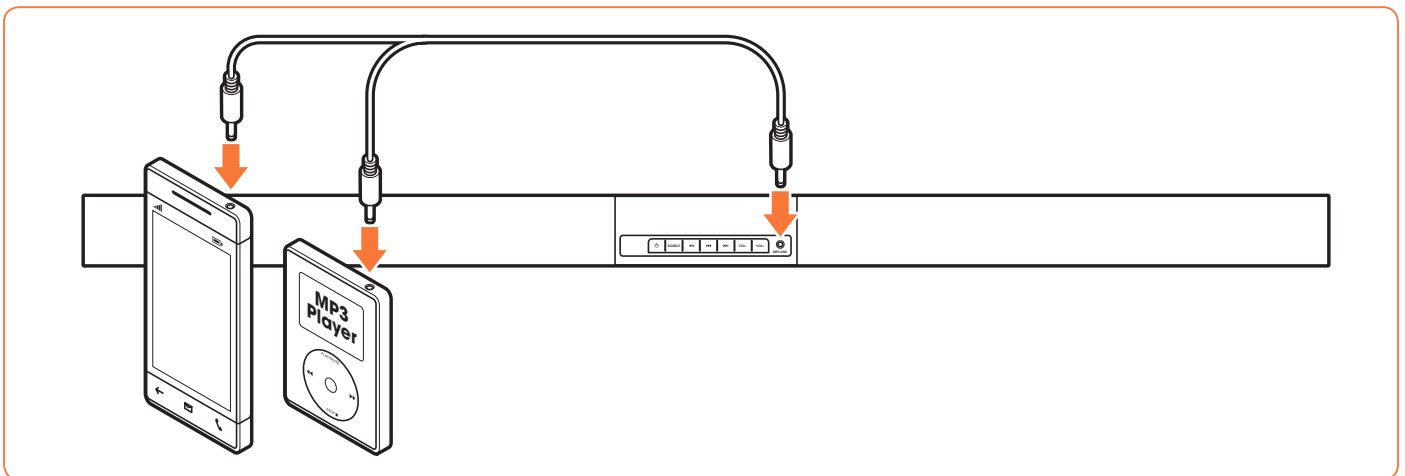
- Die SoundMount-Konfiguration basiert auf einem HDMI-Anschluss zwischen der HDMI-ARC-Buchse der Soundbar und der HDMI-ARC-Buchse des Fernsehers.

Hinweis!

ARC = Audio Return Channel.

- Wenn der Fernseher nicht mit einer HDMI-ARC-Buchse ausgestattet ist, können Sie die Soundbar und den Fernseher mit einem optischen Kabel miteinander verbinden (nicht enthalten).

3.2 MP3-Link-Anschluss



- Verbinden Sie ein 3,5-mm- mit einem 3,5-mm-Audiokabel (nicht enthalten) mit der MP3-Link-Buchse (9) an der Soundbar und die Audioausgangsbuchse mit einem externen Audiogerät. Beispielsweise mit einem MP3-Player, iPhone usw.

3.3 Netzanschluss




ACHTUNG!

- Gefahr von Produktschäden! Achten Sie darauf, dass die Versorgungsspannung mit der auf der Rückseite der Soundbar aufgedruckten Spannung des Subwoofer übereinstimmt.
- Achten Sie vor dem Anschluss des Netzkabels darauf, dass alle anderen Verbindung hergestellt wurden.


3.4 Koppeln des kabellosen Subwoofers

Ab Fabrik sind der kabellose Subwoofer und die Soundbar gekoppelt.

Automatische Kopplung

- 1 Stecken Sie das entsprechende SoundMount-Netz-kabel
- 2 Stecken Sie den Subwoofer in die Netzsteckdose.
- 3 Drücken Sie auf die  Taste auf der Soundbar oder auf der Fernsteuerung, um die Soundbar einzuschalten (EIN).
 - > Der Subwoofer und die Soundbar werden automatisch innerhalb von 30 Sekunden gekoppelt.
 - > Wenn der Subwoofer mit der Soundbar gekoppelt wird, blinkt die Anzeige schnell.
 - > Wenn der Subwoofer mit der Soundbar gekoppelt ist, leuchtet die Anzeige konstant.
 - > Im Standby-Modus erlischt die Anzeige und blinkt langsam.

Manuelles Koppeln

- 1 Stecken Sie das entsprechende SoundMount-Netz-kabel
- 2 Stecken Sie den Subwoofer in die Netzsteckdose.
- 3 Achten Sie darauf, dass sich die Soundbar im STANDBY-Modus befindet.
- 4 Halten Sie die Taste kabellose Kopplung auf der Oberseite des Subwoofer einige Sekunden lang gedrückt.
 - > Der Subwoofer öffnet den Kopplungsmodus und die Anzeige blinkt schnell.
- 5 Drücken Sie auf die  Taste auf der Soundbar oder auf der Fernsteuerung, um die Soundbar einzuschalten (EIN).
 - > Wenn der kabellose Anschluss erfolgreich war, leuchtet die Anzeige dauerhaft.
 - > Wenn die Anzeige immer noch blinkt oder gar nicht mehr blinkt, funktioniert der kabellose Anschluss nicht.
 - Ziehen Sie das Kabel aus dem Subwoofer.
 - Schließen Sie das Hauptkabel nach drei Minuten erneut an.
 - Wiederholen Sie die Schritte 1 - 5.

Hinweise!

- Wenn der kabellose Anschluss erneut nicht funktioniert, überprüfen Sie, ob es sich um einen Konflikt oder eine starke Interferenz (zum Beispiel eine Interferenz von einem elektronischen Gerät) im Bereich der Verbindung handelt. Beheben Sie den Konflikt oder die starke Interferenz und wiederholen Sie den oben genannten Ablauf.
- Der Subwoofer muss sich in einem offenen Bereich innerhalb von 6 m um die Soundbar herum befinden.
- Wenn die Soundbar nicht mit dem Subwoofer verbunden ist und sich im Ein-Modus befindet, wird die Mitteilung 'CHECK SUBWOOFER' auf der Anzeige angezeigt und die Leuchte unten am Subwoofer blinkt. Wiederholen Sie die Schritte 1 - 5 oben, um den Subwoofer mit der Soundbar zu koppeln.

4. ALLGEMEINER BETRIEB

4.1 Fernsteuerung des Fernsehers verwenden

Wenn die HDMI-ARC-Buchse der Soundbar über das HDMI-Kabel mit der HDMI-ARC-Buchse des Fernsehers verbunden ist und die CEC-Funktion des Fernsehers im Einstellungsmenü aktiviert ist, können Sie die Fernsteuerung des Fernsehers verwenden, um die SoundMount (Soundbar und Subwoofer) zu steuern.

- Wenn der Fernseher eingeschaltet ist (EIN), wird die SoundMount (Soundbar und Subwoofer) automatisch ebenfalls eingeschaltet (EIN).
- Wenn der Fernseher ausgeschaltet ist (AUS) oder auf STANDBY steht, wird die SoundMount (Soundbar und Subwoofer) automatisch ebenfalls ausgeschaltet (AUS) oder auf STANDBY geschaltet.
- Wenn die SoundMount eingeschaltet ist (EIN), kann die Lautstärke mit VOLUME -/VOLUME + und STILL gesteuert werden. Diese Tasten befinden sich auf der Fernsteuerung des Fernsehers.

Hinweis!

- Damit die SoundMount mit der Fernsteuerung des Fernsehers gesteuert werden kann, ist es wichtig, dass die HDMI-CEC-Funktion (Consumer Electronics Control) im Einstellungsmenü des Fernsehers aktiviert ist. Diese Funktion hat bei jedem Hersteller einen anderen Namen: Anynet (Samsung), Aquos Link (Sharp), Bravia Sync (Sony), Regza Link (Toshiba), Simplink (LG), Viera Link Panasonic), EZ-Sync (JVC), Easylink (Philips), Netcommand (Mitsubishi). Die internen Fernseherlautsprecher werden automatisch deaktiviert, wenn der Fernseher eingeschaltet (EIN) und die Soundbar automatisch eingeschaltet wird.

4.2 Mitgelieferte (Soundbar-)Fernsteuerung verwenden

Wenn die HDMI-ARC-Buchse der Soundbar über das HDMI-Kabel mit der HDMI-ARC-Buchse des Fernsehers verbunden ist und die CEC-Funktion des Fernsehers im Einstellungsmenü aktiviert ist, können Sie die Fernsteuerung des Fernsehers verwenden, um die SoundMount (Soundbar und Subwoofer) zu steuern.



In diesem Fall benötigen Sie nur die mitgelieferte (Soundbar-)Fernsteuerung für die erstmaligen Einstellungen Ihrer persönlichen Vorlieben (HÖHE, BASS, Helligkeitseinstellung der Soundbaranzeige) und zur Steuerung spezieller Funktionen wie Bluetooth-Audiostreaming.

Wenn die Soundbar und der Fernseher über einem optischen Link miteinander verbunden sind, muss die mitgelieferte (Soundbar-)Fernsteuerung auch zur Steuerung der SoundMount-Fernseherlautstärke, der -Eingabequelle usw. verwendet werden.

Die Lautstärke kann mit der Fernsteuerung des Fernsehers nicht eingestellt werden. Interne Fernseherlautsprecher müssen manuell ausgeschaltet werden. Beachten Sie das Einstellungsmenü für den Fernseher.

Standby/EIN

Wenn Sie die Soundbar zum ersten Mal anschließen, befindet sie sich im STANDBY-Modus und die STANDBY-Leuchte leuchtet rot.

- Drücken Sie auf die  auf der Soundbar oder auf der Fernsteuerung des Fernsehers, um die Soundbar einzuschalten (EIN).
- Drücken Sie erneut auf die  Taste, um die Soundbar wieder in den STANDBY-Modus zu schalten.
> Die Standby-Leuchte leuchtet rot auf.
- Ziehen Sie den Hauptstecker aus der Hauptsteckdose, wenn Sie die Soundbar vollständig ausschalten möchten.

Hinweis!

- Wenn sich die Soundbar etwa 15 Minuten lang im Ruhezustand befindet, wird sie automatisch in den STANDBY-Modus geschaltet.

Auswahlmodi

- Drücken Sie auf der Soundbar wiederholt auf die Taste SOURCE (QUELLE) oder drücken Sie auf die Tasten HDMI 1/HDMI 2/ARC/BT (Bluetooth)/OPT (Optisch)/AUX/MP3 auf der Fernsteuerung, um den gewünschten Modus auszuwählen. Der ausgewählte Modus wird auf der Anzeige wiedergegeben.

Hinweis!

- Wenn die HDMI-ARC-Buchse der Soundbar über das HDMI-Kabel mit der HDMI-ARC-Buchse des Fernsehers verbunden ist und die CEC-Funktion des Fernsehers im Einstellungsmenü aktiviert ist, wird die Auswahl SOURCE (QUELLE) automatisch auf 'TV ARC' (SoundMount) eingestellt.

Super Bass Boost einstellen

- Drücken Sie auf der Fernsteuerung auf die Tasten BASS +/BASS- um den Bass-Boost-Pegel zwischen -3 und +3 einzustellen.
> Der ausgewählte BASS-Pegel wird für jede Quelle automatisch gespeichert.

Höhenpegel einstellen

- Drücken Sie auf der Fernsteuerung auf die Tasten TREB +/TREB- um den Höhenpegel zwischen -3 und +3 einzustellen.
> Der ausgewählte HÖHEN-Pegel wird jede Quelle automatisch gespeichert.

Lautstärke einstellen

- Drücken Sie auf der Soundbar auf die Tasten VOL +/VOL- um die Lautstärke einzustellen.
- Drücken Sie auf der Fernsteuerung des Fernsehers auf die Taste MUTE (STILL), um den Ton abzuschalten.
- Drücken Sie auf der Fernsteuerung des Fernsehers erneut auf die Taste MUTE (STILL) oder drücken Sie auf die Taste VOL+ auf der Soundbar, um die zuvor eingestellte Lautstärke wiederherzustellen.

Equalizer auswählen

- Drücken Sie auf die EQ-Taste auf der Fernsteuerung, um die Equalizer-Einstellung MOVIE oder SPEECH auszuwählen.
> Nach dem Aus- oder Einschalten (AUS/EIN), wird die Equalizer-Einstellung automatisch in den MOVIE-Modus eingestellt.

Einstellung der Anzeigehelligkeit

- Drücken Sie auf die Taste DIM-/DIM- auf der Fernsteuerung, um die Helligkeit einzustellen.
> Die ausgewählte BRIGHTNESS (HELLIGKEIT) wird automatisch gespeichert.

Einschlaffunktion einstellen

Verwenden Sie die SLEEP TIMER (EINSCHLAFFUNKTION), um das System nach einer voreingestellten Anzahl Minuten im PLAY (Abspiel)-Modus auszuschalten. Mit der EINSCHLAFFUNKTION können mit Musik einschlafen und sich sicher sein, dass Ihr System abgeschaltet wird und nicht die ganze Nacht hindurch läuft.

- 1 Drücken Sie im ON (EIN)-Modus wiederholt auf die Taste SLEEP (EINSCHLAFFUNKTION) auf der Fernsteuerung, um die gewünschten Anzahl Minuten einzustellen. Die Anzahl Minuten wird in folgender Reihenfolge angezeigt: SLEEP 120 - SLEEP 90 - SLEEP 60 - SLEEP 30 - SLEEP 15 - SLEEP 00.
- 2 Lassen Sie die Taste SLEEP los, wenn die von Ihnen gewünschte Anzahl Minuten angezeigt wird.
> Die Sleep Timer (Einschlaffunktion) ist nun eingestellt.
- 3 Um die EINSCHLAFFUNKTION abubrechen, drücken Sie wiederholt auf die Taste SLEEP, bis 'SLEEP 00' angezeigt wird.

5. AUX/MP3 LINK/OPTISCH/HDMI

- 1 Achten Sie darauf, dass das Audiogerät mit der Soundbar verbunden ist.
- 2 Drücken Sie wiederholt auf der Soundbar auf die Taste SOURCE (QUELLE) oder drücken Sie auf der Fernbedienung der Soundbar auf HDMI 1/HDMI 2/ARC/OPT (OPTISCH)/AUX/MP3, um den gewünschten Modus auszuwählen.
- 3 Wählen Sie direkt auf Ihrem Audiogerät die Abspielfunktionen.
- 4 Drücken Sie die Tasten VOL +/VOL- auf der Soundbar, um die Lautstärke auf den gewünschten Pegel einzustellen

Hinweis!

- Sie müssen den linearen PCM-Ausgang (Pulse Code Modulation) an ihren Quellgerät (zum Beispiel Fernseher, DVD- oder Blue-Ray-Player) einschalten, während die Soundbar auf OPTICAL (OPTISCH) oder HDMI-Modus geschaltet ist.
- A/V-Peripheriegeräte müssen mit dem Fernseher verbunden sein.

6. MIT IHREM BLUETOOTH-GERÄT ABSPIELEN

Sie können sich Titel auf einem Mediengerät anhören, wenn es mit der Soundbar über Bluetooth verbunden ist.

6.1 Bluetoothfähige Geräte manuell aktivieren

Wenn Sie Ihre Bluetoothgerät zum ersten Mal mit der Soundbar verbinden, müssen Sie das Gerät mit der Soundbar koppeln.

ACHTUNG!

- Die Reichweite zwischen der Soundbar und dem Gerät beträgt höchstens 8 Meter (ohne Objekte zwischen dem Bluetoothgerät und der Soundbar).
- Bevor Sie ein Bluetoothgerät mit der Soundbar koppeln, lernen Sie die Leistungsangaben des Geräts kennen.
- Eine Kompatibilität mit allen Bluetoothgeräte kann nicht garantiert werden.
- Hindernisse zwischen dem Gerät und der Soundbar können die Reichweite verkürzen.
- Wenn die Signalstärke schwach ist, kann sich Ihr Bluetooth-Empfänger verbinden, aber es wird den Kopplungsmodus automatisch wieder herstellen.
automatically.

6.2 Ihr Gerät über Bluetooth mit der Soundbar verbinden

- 1 Soundbar einschalten (EIN).
 - 2 Drücken Sie auf der Soundbar wiederholt auf die Taste SOURCE (QUELLE) oder auf die BT-Taste auf der Fernsteuerung, um BT auszuwählen (Bluetooth-)Modus.
> Auf der Anzeige wird erst 'BT', dann 'NO BT' (wenn kein Bluetoothgerät verbunden) angezeigt.
 - 3 Drücken Sie ein paar Sekunden lang auf die Taste PAIR (KOPPELN) auf der Fernsteuerung, um die Bluetooth-Kopplung zu aktivieren.
> Auf der Anzeige wird 'PAIR' ('KOPPLUNG') angezeigt.
 - 4 Aktivieren Sie Ihr Bluetoothgerät und wählen Sie den Modus SEARCH (SUCHE) aus.
> 'Vogel's SoundMount' wird auf Ihrer Bluetoothgerätlis-te angezeigt.
 - 5 Wählen Sie 'Vogel's SoundMount' aus und geben Sie '0000' als Kennwort ein, falls erforderlich.
> Auf der Anzeige erscheint 'BLUEPORT', wenn die Verbindung erfolgreich ist.
- Um die Bluetoothfunktion zu deaktivieren, schalten Sie zu einer anderen Funktion auf der Soundbar um oder deaktivieren Sie die Funktion auf Ihrem Bluetoothgerät.

6.3 Musik mit ihrem Bluetoothgerät abspielen

- Wenn das verbundene Bluetoothgerät Advanced Audio Distribution Profile (A2DP) unterstützt, können Sie die auf Ihrem Gerät gespeicherte Musik über den Player abspielen.
 - Wenn das Gerät auch Audio Video Remote Control Profile (AVRCP) unterstützt, können Sie die Fernsteuerung der Soundbar verwenden um die auf dem Gerät gespeicherte Musik abzuspielen.
- 1 Ihr Gerät mit der Soundbar koppeln.
 - 2 Musik über Ihr Gerät abspielen (wenn es A2DP unterstützt).
 - 3 Fernsteuerung zur Abspielsteuerung verwenden (wenn AVRCP unterstützt wird).

- Drücken auf die Taste **▶||**, um die Pausenfunktion zu aktivieren oder das Abspielen fortzusetzen.
- Drücken Sie die Tastens **◀◀ / ▶▶**, um zu einem Titel zu springen.

7. WARNHINWEISE UND HAFTUNGS-AUSSCHLUSS

Damit die Garantie Ihre Gültigkeit behält, versuchen Sie niemals, die Soundbar und/oder den kabellosen Subwoofer selbst zu reparieren.

Wenn Sie Probleme mit der SoundMount haben, wenden Sie sich bitte an den Vogel's-Händler.

Bluetooth und HDMI sind registrierte Handelsmarken und sind im Besitz ihrer jeweiligen Eigentümer.



Die Wortmarke Bluetooth und die entsprechenden Logos sind registrierte Handelsmarken im Besitz der Bluetooth SIG, Inc. Jede Verwendung dieser Marken durch Vogel's erfolgt unter Lizenz. Andere Handelsmarken und Handelsnamen gehören den entsprechenden Besitzern.



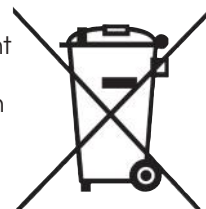
Der Ausdruck HDMI und das HDMI-Logo sind Handelsmarken oder registrierte Handelsmarken der DMI Licensing LLC in den Vereinigten Staaten und in anderen Ländern.

7.1 Hinweise zur Batterienutzung

- Wenn eine Fernsteuerung längere Zeit nicht verwendet wird (mehr als einen Monat), entfernen Sie die Batterie aus der Fernsteuerung, damit sie nicht ausläuft.
- Wenn die Batterie ausläuft, wischen Sie die Flüssigkeit im Batteriefach ab und tauschen Sie die Batterie durch eine neue aus.
- Verwenden Sie keine anderen Batterien als die angegebenen.
- Erhitzen Sie Batterien nicht und nehmen Sie sich nicht auseinander.
- Werfen Sie sie niemals in Feuer oder Wasser.
- Transportieren oder lagern Sie Batterien nicht zusammen mit anderen Metallobjekten, da dies zu Kurzschlüssen, Leckage oder zu Explosionen führen kann.
- Laden Sie Batterien nicht auf, es sei denn, es handelt sich um aufladbare Batterien.

Entsorgungshinweise

Entsorgen Sie dieses Gerät, die Fernsteuerung oder die Batterien nicht unsortiert im Haushaltsmüll. Eine falschen Entsorgung ist umweltschädlich und kann eine Gefahr für die menschliche Gesundheit darstellen. Bitte fragen Sie Ihren örtlichen Abfallbetrieb nach weiteren Informationen zur Rückgabe und nach Sammelsystemen in Ihrer Gegend.



CE Beachtung

Dieses Produkt entspricht den wesentlichen Anforderungen und anderen relevanten Bedingungen der Richtlinien 2006/95/EC (Niederspannung), 2004/108/EC (EMC) und 2011/65/EU ('RoHS', Beschränkung einzelner gefährlicher Stoffe in elektrischen und elektrotechnischen Erzeugnissen).

8. SPEZIFIKATIONEN

Soundbar

Netzanforderungen.....	AC 220-240 V 50/60 Hz
Durchschnittlicher Stromverbrauch im Betrieb	60 W
Standby-Stromverbrauch unter.....	0.5 W
Ausgangsleistung RMS	75 W x 2
Klirrfaktor (THD).....	1%(1 kHz, 1 W)
Eingangsempfindlichkeit	700 mV
Frequenzreaktion.....	180 Hz - 20 kHz
Impedanz gesamt.....	6 Ω
Maße (B x H x T)	950 x 86 x 52 mm

Subwoofer

Netzanforderungen	AC 220 - 240 V 50/60 Hz
Durchschnittlicher Stromverbrauch im Betrieb	60 W
Standby-Stromverbrauch unter.....	0.5 W
Ausgangsleistung	150 W
Frequenzreaktion	40 Hz - 150 Hz
Impedanz	3 Ω
Maße (B x H x T)	419 X 312 x 150 mm

Fernsteuerung

Abstand	6 m
Winkel	30°

9. IM LIEFERUMFANG ENTHALTENES ZUBEHÖR

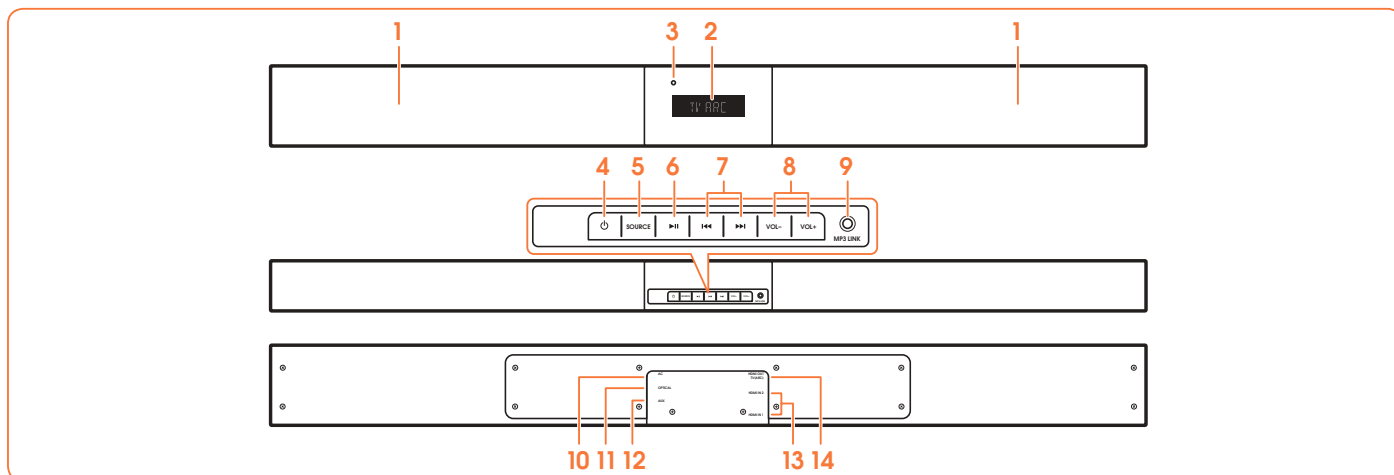
Stromkabel (Wechselstrom)	2 x
HDMI-Kabel	1 x
Fernsteuerung	1 x

FR TABLE DES MATIERES

1 IDENTIFYING THE PARTS.....	30
1.1 Barre de son	30
1.2 Subwoofer sans fil	31
1.3 Télécommande	31
2 PREPARATIONS	32
2.1 Préparation de la télécommande.....	32
2.2 Utilisation de la télécommande pour la première fois.....	32
2.3 Remplacement de la pile de la télécommande.....	32
3 CONNEXIONS	33
3.1 Connexion HDMI Standard (ARC).....	33
3.2 Connexion MP3 Link	33
3.3 Connexion d'alimentation.....	33
3.4 Association du subwoofer sans fil avec la barre de son	34
Association automatique.....	34
Association manuelle	34
4 UTILISATION	34
4.1 Utilisation de la télécommande de la TV	34
4.2 Utilisation de la télécommande (barre de son) fournie.....	34
Veille / MARCHE	35
Sélection des modes.....	35
Réglage du Super Bass Boost	35
Réglage du niveau des aigus.....	35
Réglage du volume.....	35
Sélection de l'égaliseur.....	35
Réglage de la luminosité de l'écran.....	35
Réglage du minuteur de mise en veille	35
5 FONCTIONNEMENT AUX / MP3 LINK / OPTIQUE / HDMI	35
6 LECTURE AVEC VOTRE APPAREIL BLUETOOTH.....	36
6.1 Association manuelle des appareils Bluetooth	36
6.2 Connexion de votre appareil à la barre de son via Bluetooth	36
6.3 Ecoute de la musique depuis votre appareil Bluetooth.....	36
7 AVERTISSEMENTS.....	36
7.1 Précautions concernant les piles	36
8 SPECIFICATIONS	37
9 ACCESSOIRES FOURNIS.....	37

1. IDENTIFICATION DES PIECES

1.1 Barre de son



1 Haut-parleurs

2 Ecran/Capteur de télécommande

- Affiche le statut actuel.
- Reçoit le signal de la télécommande.

3 Témoin de veille

S'allume en rouge lorsque l'appareil est en mode STANDBY (VEILLE).



Commute la barre de son entre les modes ON (MARCHE) et STANDBY (VEILLE.)

5 SOURCE

Commute entre les modes BT (Bluetooth), OPT (OPTIQUE), AUX, HDMI 1. HDMI 1. HDMI ARC et MP1. LINK.



Lecture/Pause/Reprise lecture en mode Bluetooth.



Passer à la piste précédente/Passer à la piste suivante en mode Bluetooth.

8 VOL+ / VOL-

Augmenter/Diminuer le volume.

9 Prise MP3 LINK

Se connecte à un appareil audio externe.

10 CA ~ prise

Pour connecter le cordon d'alimentation.

11 Prise OPTIQUE

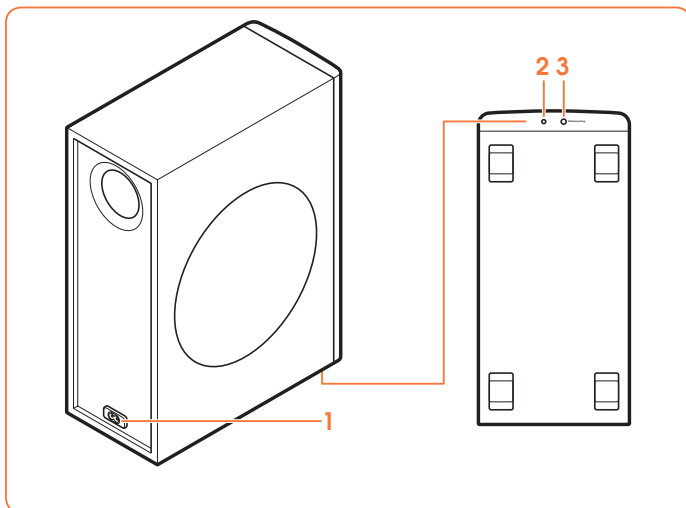
12 Prise AUX

13 Prises HDMI 1 /HDMI 2

14 Prise SORTIE HDMI TV ARC

Sortie HDMI (ARC).

1.2 Subwoofer sans fil



1 CA - alimentation

Se connecte au cordon d'alimentation.

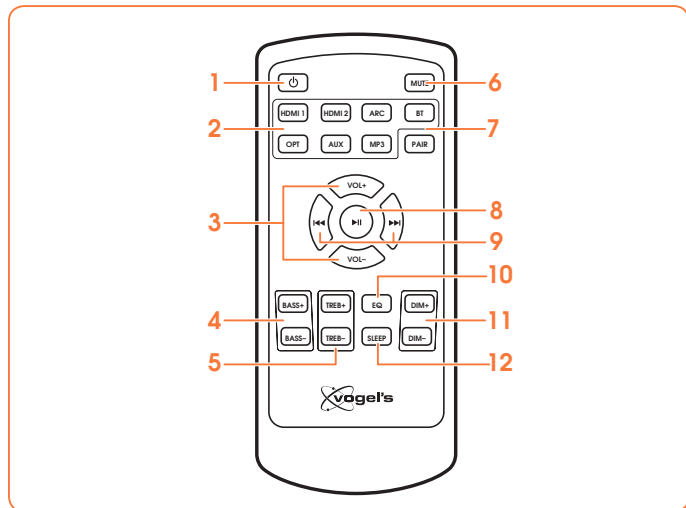
2 Témoin

S'allume lorsque l'association est réussie.

3 Bouton d'association sans fil

Se connecte à la barre de son.

1.3 Télécommande



- 1 **Power**
Commute la barre de son entre les modes ON (MARCHE) et STANDBY (VEILLE).
- 2 **SOURCE**
Sélectionner le mode de lecture souhaité.
- 3 **VOL+ / VOL-**
Augmenter/Diminuer le volume.
- 4 **BASS+ / BASS-**
Réglez le niveau des basses.
- 5 **TREB+ / TREB-**
Réglez le niveau des aigus.
- 6 **MUTE (SILENCIEUX)**
Coupe ou remet le son.
- 7 **PAIR (ASSOCIER)**
- Active la fonction d'association en mode Bluetooth.
- Déconnecte l'appareil Bluetooth associé existant.
- 8 **▶ ||**
Lecture/Pause/Reprise de la lecture en mode Bluetooth.
- 9 **⏮ / ⏭**
Passer à la piste précédente/Passer à la piste suivante en mode Bluetooth.
- 10 **EQ**
Sélectionne la présélection de l'égaliseur.
- 11 **DIM+ / DIM-**
Règle la luminosité de l'écran.
- 12 **SLEEP (VEILLE)**
Règle le minuteur de mise en veille.

2. PREPARATIONS

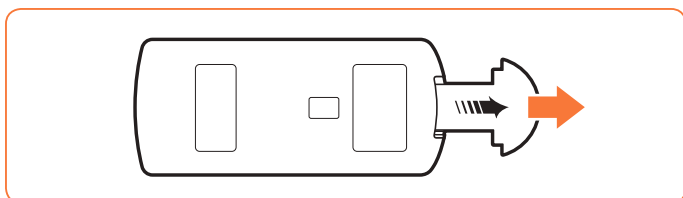
2.1 Préparation de la télécommande

La télécommande fournie permet d'utiliser l'appareil à distance.

- Même si la télécommande est actionnée dans la portée effective (6 m), l'utilisation de la télécommande peut être impossible s'il y a des obstacles entre la barre de son et la télécommande.
- Si la télécommande est actionnée à proximité d'autres produits qui génèrent des rayons infrarouges ou si d'autres appareils avec télécommande utilisant des rayons infrarouges sont utilisés à proximité de la barre de sons, la télécommande peut ne pas fonctionner correctement. De même, les autres produits peuvent ne pas fonctionner correctement.

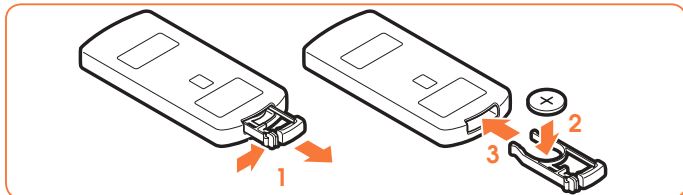
2.2 Utilisation de la télécommande pour la première fois

La barre de son possède une pile au lithium CR2025 pré-installée.



- Enlevez la languette de protection pour activer la pile de la télécommande.

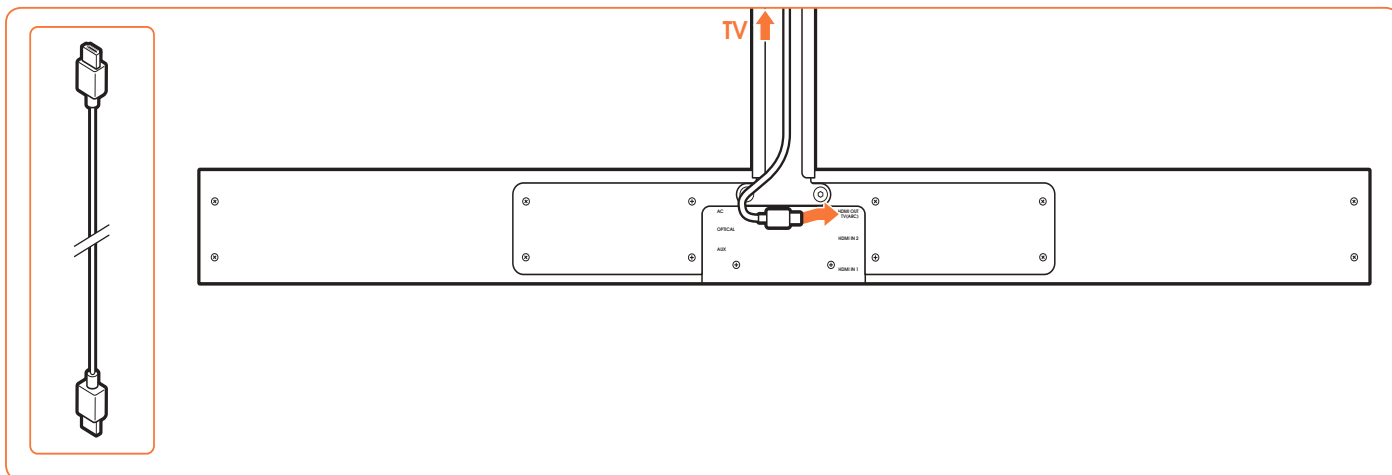
2.3 Remplacement de la pile de la télécommande



- 1 Tirez le compartiment des piles et enlevez l'ancienne pile.
- 2 Placez une nouvelle pile CR2025 dans le compartiment des piles en respectant la polarité (+/-) indiquée.
- 3 Réinsérez le compartiment des piles dans le logement.

3. CONNEXIONS

3.1 Connexion HDMI standard



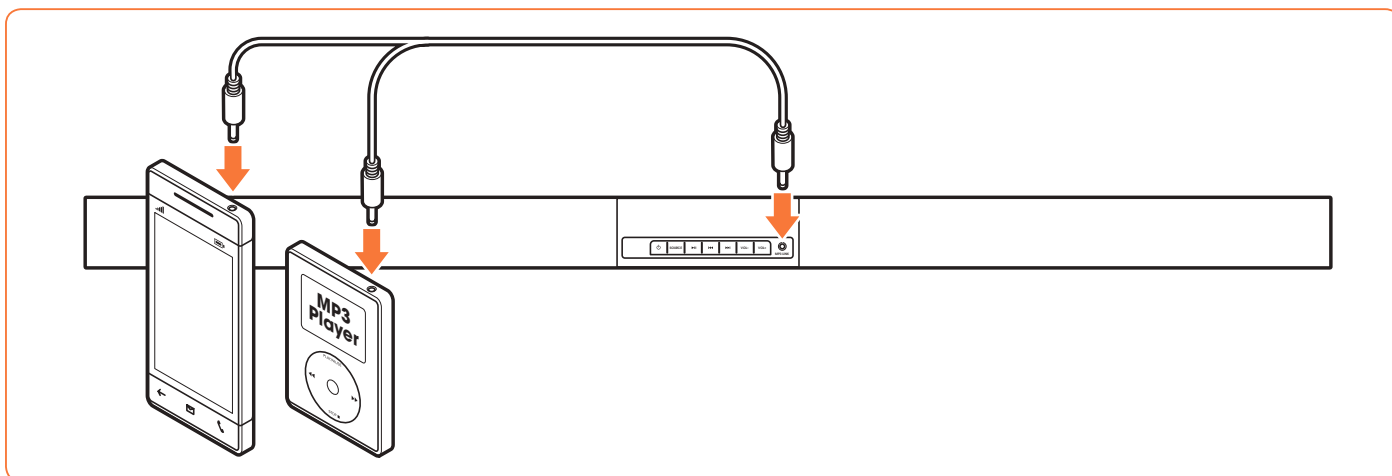
- La configuration SoundMount est basée sur une connexion HDMI entre la prise HDMI ARC de la barre de son et la prise HDMI ARC de la télévision.

Remarque !

ARC = Audio Return Channel.

- Si la télévision n'est pas équipée d'une prise HDMI ARC, vous pouvez connecter la barre de son et la télévision avec un câble optique (non fourni).

3.2 Connexion MP3 Link



- Branchez un câble audio 3,5 mm à 3,5 mm (non fourni) à la prise MP3 LINK (9) sur la barre de son et la prise de sortie audio sur un périphérique audio externe. Par exemple, un lecteur MP3, un iPhone, etc.

3.3 Connexion d'alimentation


! DANGER !

- Risque d'endommagement du produit ! Veillez à ce que la tension d'alimentation corresponde à la tension indiquée au dos de la barre de son et du subwoofer.
- Avant de brancher le cordon d'alimentation CA, veillez à avoir effectué toutes les autres connexions.


3.4 Association du subwoofer sans fil avec la barre de son

Le subwoofer sans fil et la barre de son sont associés en usine.

Association automatique

- 1 Branchez le câble d'alimentation dédié SoundMount dans la barre de son.
- 2 Branchez le subwoofer dans la prise secteur.
- 3 Appuyez sur le bouton  de la barre de son ou sur la télécommande pour mettre la barre de son en position ON (MARCHE).
 - > Le subwoofer et la barre de son s'associent automatiquement dans les 30 secondes.
 - > Lorsque le subwoofer s'associe avec la barre de son, le témoin clignote rapidement.
 - > Lorsque le subwoofer est associé à la barre de son, le témoin s'allume en continu.
 - > En mode veille, le témoin du subwoofer s'éteint et clignote lentement.

Association manuelle

- 1 Branchez le câble d'alimentation dédié SoundMount dans la barre de son.
- 2 Branchez le subwoofer dans la prise secteur.
- 3 Veillez à ce que la barre de son se trouve en mode veille.
- 4 Appuyez et maintenez enfoncé le bouton d'association sans fil au bas du subwoofer pendant quelques secondes.
 - > Le subwoofer passe en mode association et le témoin clignote rapidement.
- 5 Appuyez sur le bouton  de la barre de son ou sur la télécommande pour mettre la barre de son en position ON (MARCHE).
 - > Une fois la connexion sans fil établie, le témoin s'allume en continu.
 - > Si le témoin clignote toujours ou ne clignote pas du tout, la connexion sans fil a échoué.
 - Débranchez le câble du subwoofer.
 - Rebranchez le câble d'alimentation après 3 minutes.
 - Répétez les étapes 1 - 5.

Remarque !

- Si la connexion sans fil échoue à nouveau, vérifiez s'il y a un conflit ou une forte interférence (par exemple, des interférences d'un appareil électronique) aux alentours de votre position. Éliminez ces conflits ou ces fortes interférences et répétez les procédures ci-dessus.
- Le subwoofer doit se situer à moins de 6 m de la barre de son dans un espace ouvert.
- Si la barre de son n'est pas connectée avec le subwoofer et si elle se trouve en mode Marche, le message 'CHECK SUBWOOFER' ('VERIFIER LE SUBWOOFER') apparaît à l'écran et le témoin au bas du subwoofer clignote. Répétez les étapes 1 - 5 ci-dessus pour associer le subwoofer à la barre de son.

4. UTILISATION

4.1 Utilisation de la télécommande de la TV

Lorsque la prise HDMI ARC de la barre de son est connectée à la prise HDMI ARC ou à la télévision via le câble HDMI et que la fonction CEC de la télévision est activée dans le menu configuration de la télévision, vous pouvez utiliser la télécommande de la télévision pour contrôler le SoundMount (barre de son et subwoofer).

- Lorsque la TV est allumée, le SoundMount (barre de son et subwoofer) est automatiquement allumé.
- Lorsque la TV est mise en position OFF / STANDBY (ARRET / VEILLE), le SoundMount se met automatiquement en position ARRET (puis VEILLE).
- Lorsque le SoundMount est en position MARCHE, le volume du son peut être contrôlé via les boutons VOLUME - / VOLUME + et MUTE sur la télécommande de la télévision.

Remarque !

- Pour pouvoir contrôler le SoundMount avec la télécommande de la télévision, il est important que la fonction HDMI CEC (Consumer Electronics Control) soit activée dans le menu configuration de la TV. Cette fonction porte un nom différent pour chaque marque de télévision : Anynet (Samsung), Aquos Link (Sharp), Bravia Sync (Sony), Regza Link (Toshiba), Simplink (LG), Viera Link Panasonic, EZ-Sync (JVC), Easylink (Philips), Netcommand (Mitsubishi). Les haut-parleurs internes de la télévision sont automatiquement désactivés dès que la télévision est allumée et la barre de son est allumée automatiquement.

4.2 Utilisation de la télécommande (barre de son) fournie



Lorsque la prise HDMI ARC de la barre de son est connectée à la prise HDMI ARC ou à la télévision via le câble HDMI et que la fonction CEC de la télévision est activée dans le menu configuration de la télévision, vous pouvez utiliser la télécommande de la télévision pour contrôler le SoundMount (barre de son et subwoofer).

Dans ce cas, vous avez seulement besoin de la télécommande fournie (barre de son) pour les paramètres initiaux des préférences personnelles (TREBLE, BASS (AIGUS, BASSES), niveau de luminosité de l'écran de la barre de son) et pour le contrôle des fonctions spéciales comme le streaming audio Bluetooth.

Lorsque la barre de son et la télévision sont connectées via un lien optique, la télécommande (barre de son) fournie doit également être utilisée pour contrôler le volume de la télévision SoundMount, la sélection de la source, etc.. Il n'est pas possible de contrôler le volume avec la télécommande de la télévision. Les haut-parleurs internes de la télévision doivent être coupés manuellement. Voyez le menu de configuration de la télévision.

Veille / Marche

Lorsque vous connectez la première fois la barre de son à la prise de courant, la barre de son est en mode veille et le témoin veille s'allume en rouge.

- Appuyez sur le bouton  la barre de son ou sur la télécommande de la télévision pour mettre la barre de son en position ON (MARCHE).
- Appuyez à nouveau sur le bouton  pour remettre la barre de son en mode veille.
> Le témoin de veille s'allume en rouge.
- Débranchez la fiche de la prise secteur si vous souhaitez déconnecter complètement la barre de son.

Remarque !

- Lorsque la barre de son est inactive pendant environ 15 minutes, elle passe automatiquement en mode veille.

Sélection des modes

- Appuyez sur le bouton SOURCE de la barre de son à plusieurs reprises ou appuyez sur les boutons HDMI 1 / HDMI 2 / ARC / BT (Bluetooth) / OPT (Optique) / AUX / MP3 de la télécommande pour sélectionner le mode souhaité. Le mode sélectionné apparaît à l'écran.

Remarque !

- Lorsque la prise HDMI ARC de la barre de son est connectée à la prise HDMI ARC de la télévision via le câble HDMI et que la fonction CEC de la télévision est activée dans le menu configuration de la télévision, la sélection de la SOURCE se positionnera automatiquement sur 'TV ARC' (SoundMount).

Réglage du Super Bass Boost

- Appuyez sur les boutons BASS + / BASS- de la télécommande pour régler le niveau de basses de -3 à +3.
> Le niveau de BASS (BASSES) sélectionné sera automatiquement stocké par source.

Réglage du niveau des aigus.

- Appuyez sur les boutons TREB + / TREB - de la télécommande pour régler le niveau des aigus de -3 à +3.
> Le niveau des TREBLE (AIGUS) sélectionné sera automatiquement stocké par source.

Réglage du volume

- Appuyez sur les boutons VOL + / VOL - de la barre de son pour régler le volume.
- Appuyez sur le bouton MUTE (SILENCIEUX) de la télécommande de la télévision pour couper le son.
- Appuyez à nouveau sur le bouton MUTE (SILENCIEUX) de la télécommande de la télévision ou appuyez sur le bouton VOL+ de la barre de son pour reprendre le volume normal.

Sélection de l'égaliseur

- Appuyez sur le bouton EQ de la télécommande pour sélectionner le paramètre d'égaliseur MOVIE (FILM) ou SPEECH (PAROLE).
> Après avoir commuté entre les position OFF (ARRET) et ON (MARCHE), le paramètre de l'égaliseur revient automatiquement en mode MOVIE (FILM).

Adjusting the brightness of the display

- Appuyez sur le bouton DIM+ / DIM- de la télécommande pour sélectionner le niveau de luminosité.
> Le niveau de BRIGHTNESS (LUMINOSITE) sélectionné est automatiquement enregistré.

Réglage du minuteur de mise en veille

Utilisez le SLEEP TIMER (MINUTEUR DE MISE EN VEILLE) pour couper le système après plusieurs minutes en mode PLAY (LECTURE). En réglant le SLEEP TIMER, vous pouvez vous endormir sur la musique et votre système s'éteindra automatiquement.

- 1 En mode ON (MARCHE), appuyez sur le bouton SLEEP (VEILLE) de la télécommande à plusieurs reprises pour sélectionner le nombre de minutes souhaité. Le nombre de minutes sera affiché dans la séquence suivante : VEILLE 120 - VEILLE 90 - VEILLE 60 - VEILLE 30 - VEILLE 15 - VEILLE 00.
- 2 Arrêtez d'appuyer sur le bouton SLEEP lorsque le nombre de minutes souhaité apparaît.
> Le minuteur de mode veille est maintenant réglé.
- 3 Pour annuler le SLEEP TIMER, appuyez sur le bouton SLEEP à plusieurs reprises jusqu'à ce que 'SLEEP 00' ('VEILLE 00') apparaisse.

5. FONCTIONNEMENT AUX / MP3 LINK / OPTIQUE / HDMI

- 1 Veillez à ce que le périphérique audio soit connecté à la barre de son.
- 2 Appuyez sur le bouton SOURCE sur la barre de son à plusieurs reprises ou appuyez sur les boutons HDMI 1 / HDMI 2 / ARC / OPT (OPTIQUE) / AUX / MP3 sur la télécommande de la barre de son pour sélectionner le mode souhaité.
- 3 Utilisez votre périphérique audio directement pour la lecture.
- 4 Appuyez sur les boutons VOL + / VOL - de la barre de son pour régler le volume au niveau souhaité.

Remarque !

- Vous devrez peut-être passer à la sortie PCM (Pulse Code Modulation) linéaire sur votre appareil source (ex. TV, DVD ou lecteur Blu-ray) lorsque la barre de son est mise en mode OPTIQUE ou HDMI.
- Les périphériques A/V doivent être connectés à la télévision.

6. LECTURE AVEC VOTRE APPAREIL BLUETOOTH

Vous pouvez écouter les pistes d'un appareil s'il est connecté à la barre de son via Bluetooth.

6.1 Association manuelle des appareils Bluetooth

La première fois que vous connectez votre appareil Bluetooth à la barre de son, vous devez associer votre appareil à la barre de son.



DANGER !

- La plage opérationnelle entre la barre de son et l'appareil est d'environ 8 mètres (sans obstacle entre l'appareil Bluetooth et la barre de son).
- Avant de connecter un appareil Bluetooth à la barre de son, veuillez à connaître les capacités de l'appareil.
- La compatibilité avec les appareils Bluetooth n'est pas garantie.
- Les obstacles entre l'appareil et la barre de son peuvent réduire la portée opérationnelle.
- Si la force du signal est faible, votre récepteur Bluetooth peut se déconnecter, mais il repassera en mode association automatiquement.

6.2 Connexion de votre appareil à la barre de son via Bluetooth

- 1 Mettez la barre de son en mode ON (MARCHE).
 - 2 Appuyez sur le bouton SOURCE de la barre de son à plusieurs reprises ou sur le bouton BT de la télécommande pour sélectionner le mode BT (Bluetooth).
> L'écran affiche 'BT' et ensuite 'NO BT' ('PAS DE BT', si aucun appareil Bluetooth n'est connecté).
 - 3 Appuyez sur le bouton PAIR (ASSOCIER) sur la télécommande pendant quelques secondes pour activer l'association Bluetooth.
> L'écran affiche 'PAIR' ('ASSOCIER').
 - 4 Activez votre appareil Bluetooth et sélectionnez le mode SEARCH (RECHERCHER).
> 'Vogel's SoundMount' apparaît sur votre appareil Bluetooth.
 - 5 Sélectionnez 'Vogel's SoundMount' et entrez '0000' comme mot de passe, le cas échéant.
> L'écran affiche 'BLUEPORT' lorsque la connexion est établie.
- Pour déconnecter la fonction Bluetooth, passez à une autre fonction sur la barre de son ou désactivez la fonction depuis votre appareil Bluetooth.

6.3 Ecoute de la musique depuis votre appareil Bluetooth

- Si l'appareil Bluetooth connecté supporte la fonction Advanced Audio Distribution Profile (A2DP), vous pouvez écouter la musique stockée sur l'appareil via le lecteur.
- Si l'appareil supporte également la fonction Audio Video Remote Control Profile (AVRCP), vous pouvez utiliser la télécommande de la barre de son pour lire la musique stockée sur l'appareil.

- 1 Associés votre appareil avec la barre de son.
- 2 Lisez la musique via votre appareil (s'il prend en charge A2DP).
- 3 Utilisez la télécommande pour contrôler la lecture (s'il prend en charge AVRCP).
 - Appuyez sur le bouton **▶||** pour interrompre/reprendre la lecture.
 - Appuyez sur les boutons **◀◀ / ▶▶** pour sauter une piste.

7. AVERTISSEMENTS

Pour maintenir la validité de la garantie, n'essayez jamais de réparer la barre de son et/ou le subwoofer sans fil vous-même. Si vous rencontrez des problèmes lors de l'utilisation de SoundMount, veuillez contacter votre distributeur Vogel's.

Bluetooth et HDMI sont des marques commerciales déposées et sont la propriété de leurs propriétaires respectifs.



La marque et les logos Bluetooth sont des marques commerciales déposées de Bluetooth SIG, Inc. et toute utilisation de ces marques par Vogel's fait l'objet d'une licence. Les autres marques et marques commerciales sont celles de leurs propriétaires respectifs.



Le terme et le logo HDMI sont des marques commerciales ou des marques commerciales déposées de HDMI Licensing LLC aux Etats-Unis et dans d'autres pays.

7.1 Précautions relatives aux piles

- Lorsque la télécommande n'est pas utilisée pendant une longue période (plus d'un mois), enlevez la pile de la télécommande pour éviter qu'elle ne fuite.
- Si la pile fuit, essayez la fuite dans le compartiment des piles et remplacez la pile par une nouvelle.
- N'utilisez pas d'autres piles que celles indiquées.
- Ne chauffez pas ou ne démontez pas les piles.
- Ne les jetez jamais dans le feu ou dans l'eau.
- Ne transportez pas ou ne stockez pas de piles avec d'autres objets métalliques car cela pourrait entraîner un court-circuit, une fuite ou une explosion des piles.
- Ne chargez jamais une pile tant qu'il n'a pas été confirmé qu'il s'agit d'une pile rechargeable.

Instructions de mise au rebut WEE

Ne mettez pas au rebut cet appareil, la télécommande ou sa pile avec les déchets ménagers non triés. Une mise au rebut inadéquate peut être nocive pour l'environnement et la santé humaine. Veuillez vous renseigner auprès de l'agence locale responsable des déchets concernant les systèmes de retour et de collecte dans votre région.



Conformité CE

Ce produit est conforme aux exigences essentielles et à d'autres dispositions pertinentes des Directives 2006/95/CE (Voltage bas), 2004/108/EC (EMC) et 2011/65/UE (la directive ROHS, directive relative à la limitation de l'utilisation de certaines substances dangereuses au niveau de l'équipement électrique et électronique).

8. SPECIFICATIONS

Barre de son

Alimentation	CA 220-240 V 50/60 Hz
Consommation d'alimentation moyenne pendant l'utilisation.....	60 W
Consommation d'alimentation en veille inférieure à ...	0,5 W
Puissance de sortie RMS	75 W x 2
Distorsion harmonique totale.....	1%(1 kHz, 1 W)
Sensibilité d'entrée audio	700 mV
Réponse de fréquence	180 Hz - 20 kHz
Impédance totale.....	6 Ω
Dimension (l x H x P).....	950 x 86 x 52 mm

Subwoofer

Alimentation	CA 220 - 240 V 50/60 Hz
Consommation d'alimentation moyenne pendant l'utilisation.....	60 W
Consommation d'alimentation en veille inférieure à ...	0,5 W
Puissance de sortie	150 W
Réponse de fréquence	40 Hz - 150 kHz
Impédance	3 Ω
Dimension (l x H x P).....	419 X 312 x 150 mm

Télécommande

Distance.....	6 m
Angle	30°

9. ACCESSOIRES FOURNIS

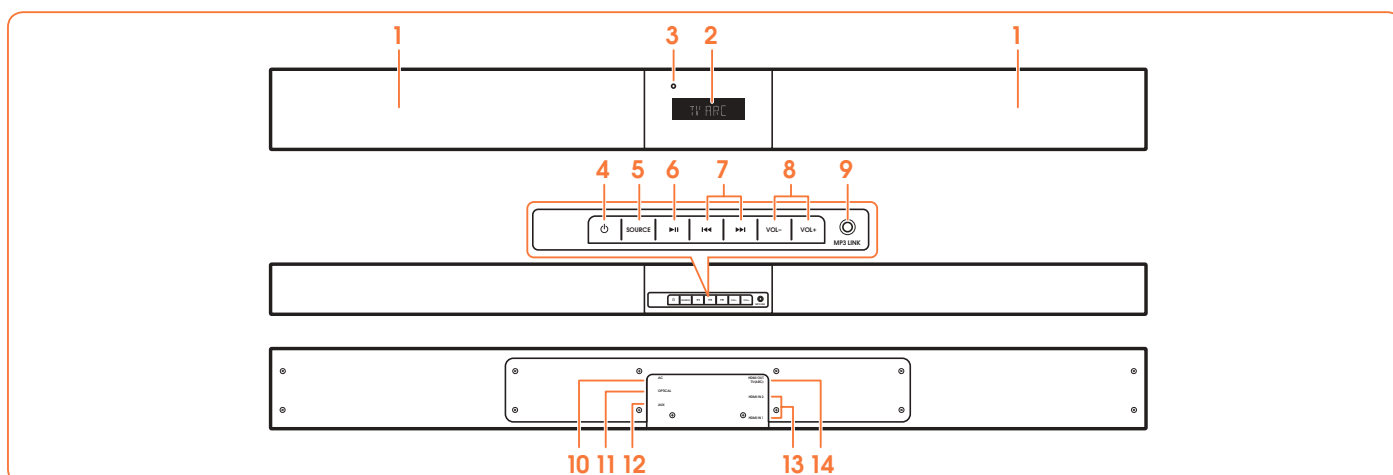
Cordon d'alimentation CA.....	2 x
Câble HDMI	1 x
Télécommande.....	1 x

ES CONTENIDO

1 IDENTIFICACIÓN DE PIEZAS	39
1.1 Barra de sonido	39
1.2 Subwoofer inalámbrico	40
1.3 Mando a distancia	40
2 PREPARATIVOS	41
2.1 Preparación del mando a distancia	41
2.2 Uso del mando a distancia por primera vez	41
2.3 Sustitución de la batería del mando a distancia	41
3 CONEXIONES	42
3.1 Conexión HDMI (ARC) estándar	42
3.2 Conexión MP3 Link	42
3.3 Conexión de alimentación	42
3.4 Emparejamiento del subwoofer inalámbrico con la barra de sonido	43
Emparejamiento automático	43
Emparejamiento manual	43
4 FUNCIONAMIENTO GENERAL	43
4.1 Uso del mando a distancia del TV	43
4.2 Uso del mando a distancia incluido (barra de sonido)	43
Espera (Standby) / Encendido	44
Selección de modos	44
Ajuste de refuerzo de graves Super Bass Boost	44
Ajuste de nivel de agudos	44
Ajuste del volumen	44
Selección del ecualizador	44
Ajuste del brillo de la pantalla	44
Ajuste del temporizador de apagado	44
5 FUNCIONAMIENTO AUX / MP3 LINK / OPTICAL / HDMI	44
6 REPRODUCCIÓN CON UN DISPOSITIVO BLUETOOTH	45
6.1 Emparejamiento manual de dispositivos Bluetooth	45
6.2 Conexión del dispositivo a la barra de sonido mediante Bluetooth	45
6.3 Escuchar música desde el dispositivo Bluetooth	45
7 ADVERTENCIAS Y EXENCIÓN DE RESPONSABILIDAD	45
7.1 Precautions concerning batteries	45
8 ESPECIFICACIONES	46
9 ACCESORIOS SUMINISTRADOS	46

1. IDENTIFICACIÓN DE LAS PIEZAS

1.1 Barra de sonido



1 Altavoces

2 Display / Sensor del mando a distancia

- Muestra el estado actual.
- Recibe la señal del mando a distancia.

3 Indicador de espera (Standby)

Se enciende en rojo cuando la unidad se encuentra en modo de espera (STANDBY).

4

Cambia el modo de la barra de sonido entre encendido y espera.

5 SOURCE (FUENTE)

Cambia entre los modos BT (Bluetooth), OPT (ÓPTICO), AUX, HDMI 1, HDMI 2, HDMI ARC y MP3 LINK.

6

Reproduce/pone en pausa/reanuda la reproducción en modo Bluetooth.

7

Salta a la pista anterior/salta a la pista siguiente en modo Bluetooth.

8 VOL+ / VOL-

Sube/baja el nivel de volumen.

9 Toma de conexión de MP3 LINK

Permite conectar un dispositivo de audio externo.

10 Toma de conexión ~ AC

Para conectar el cable de alimentación.

11 Toma de conexión OPTICAL

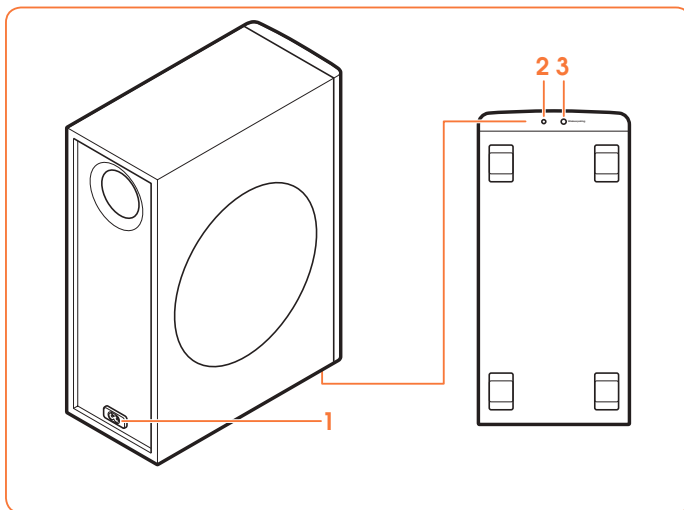
12 Toma de conexión AUX

13 Tomas de conexión HDMI 1/HDMI 2

14 Toma de conexión HDMI OUT TV ARC

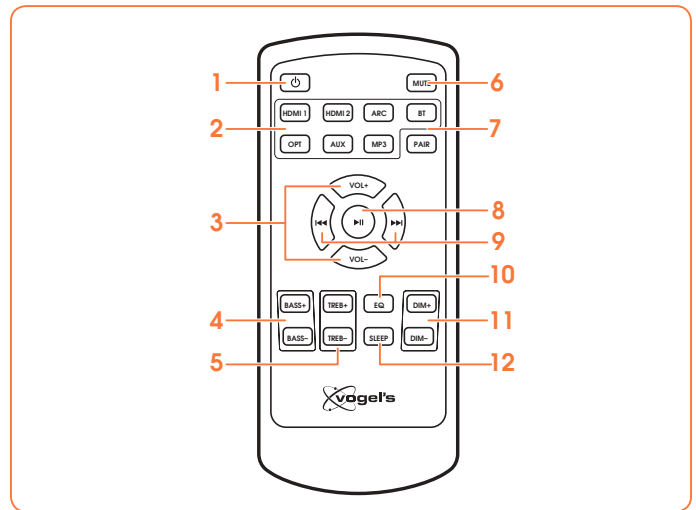
Salida HDMI (ARC).

1.2 Subwoofer inalámbrico



- 1 Toma ~ AC**
Toma de conexión del cable de alimentación.
- 2 Indicador**
Se enciende cuando el emparejamiento es correcto.
- 3 Botón de emparejamiento inalámbrico**
Conexión a la barra de sonido.

1.3 Mando a distancia



- 1** **Power**
Cambia el modo de la barra de sonido entre encendido y espera.
- 2 SOURCE (FUENTE)**
Permite seleccionar el modo de reproducción deseado.
- 3 BASS+ / BASS- (GRAVES)**
Sube/baja el nivel de volumen.
- 4 BASS+ / BASS-**
Permite ajustar el nivel de graves.
- 5 TREB+ / TREB- (AGUDOS)**
Permite ajustar el nivel de agudos.
- 6 MUTE (SILENCIO)**
Silencia o vuelva a activar el sonido.
- 7 PAIR (EMPAREJAR)**
 - Activa la función de emparejado en modo Bluetooth.
 - Desconecta el dispositivo Bluetooth emparejado existente.
- 8** **Play/Pause**
Reproduce/pone en pausa/reanuda la reproducción en modo Bluetooth.
- 9** **Previous/Next**
Salta a la pista anterior/salta a la pista siguiente en modo Bluetooth.
- 10 EQ**
Selecciona el ecualizador preajustado.
- 11 DIM+ / DIM-**
Permite ajustar el brillo de la pantalla.
- 12 SLEEP**
Permite ajustar el temporizador de apagado.

2. PREPARATIVOS

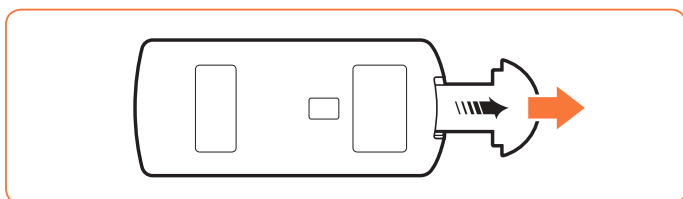
2.1 Preparación del mando a distancia

El mando a distancia incluido permite utilizar la unidad desde la distancia.

- Aunque se utilice el mando a distancia dentro del alcance efectivo (6 m), la existencia de obstáculos entre la barra de sonido y el mando a distancia podría imposibilitar su funcionamiento.
- Si el mando a distancia se utiliza cerca de otros productos que generan rayos infrarrojos o si se utiliza otro mando a distancia que emplea rayos infrarrojos cerca de la barra de sonido, el mando a distancia podría funcionar incorrectamente. De la misma manera, los otros productos podrían funcionar incorrectamente.

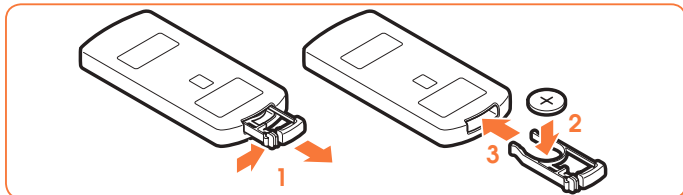
2.2 Uso del mando a distancia por primera vez

La barra de sonido cuenta con una batería de litio CR2025 preinstalada.



- Retire la lengüeta protectora para activar la batería del mando a distancia.

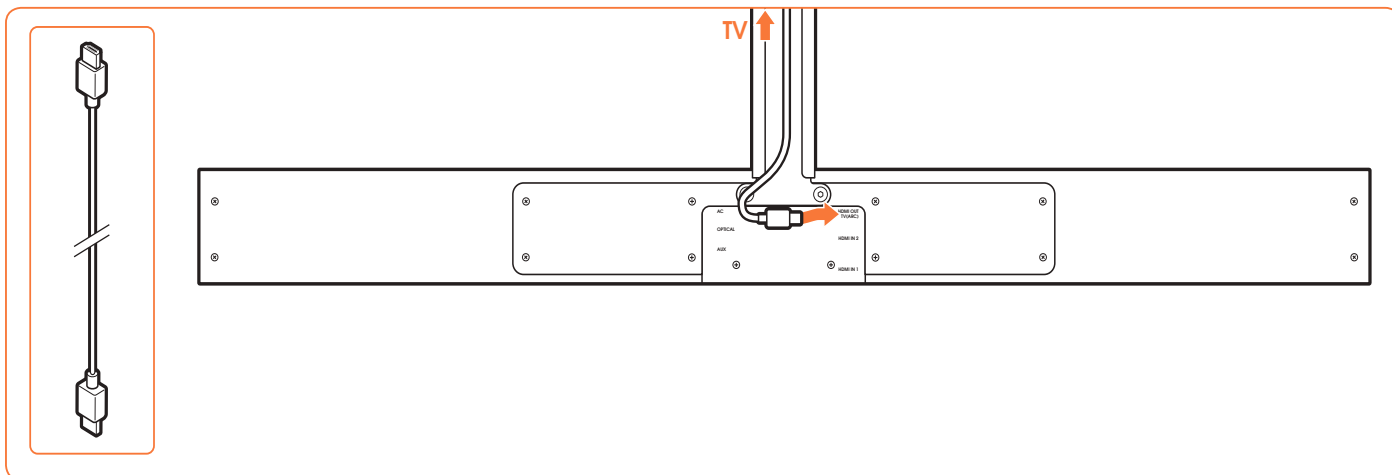
2.3 Sustitución de la batería del mando a distancia



- 1 Extraiga la bandeja de la batería y saque la batería antigua.
- 2 Coloque una nueva batería CR2025 en la bandeja con la polaridad correcta (+/-) como se indica.
- 3 Introduzca la bandeja de la batería de nuevo en la ranura.

3. CONEXIONES

3.1 Conexión HDMI estándar



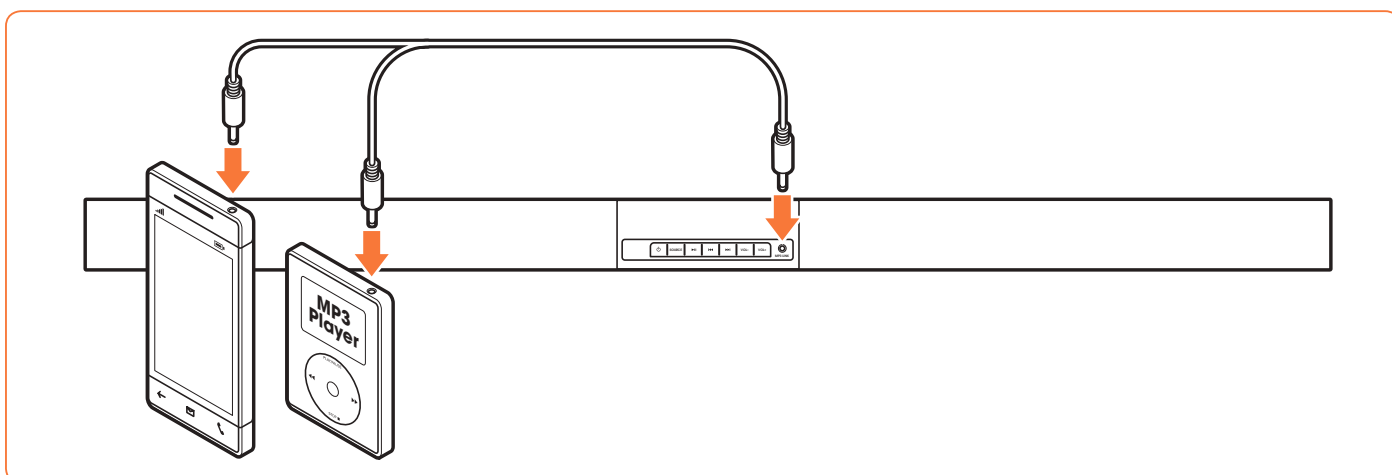
- La configuración de SoundMount se basa en una conexión HDMI entre la toma de conexión HDMI ARC de la barra de sonido y la toma de conexión HDMI ARC del televisor.

¡Nota!

ARC = Audio Return Channel (Canal de retorno de audio).

- Si el televisor no está equipado con una toma de conexión HDMI ARC, puede conectar la barra de sonido y el televisor con un cable óptico (no incluido).

3.2 Conexión MP3 Link



- Conecte un cable de sonido de 3,5 mm a 3,5 mm (no incluido) a la toma de conexión MP3 LINK (9) de la barra de sonido y la toma de conexión de salida de sonido a un dispositivo de audio externo. Por ejemplo, un reproductor de MP3, iPhone, etc.

3.3 Conexión de alimentación




¡PRECAUCIÓN!

- ¡Riesgo de dañar el producto! Asegúrese de que la tensión de la fuente de alimentación se corresponda con la tensión impresa en la parte posterior de la barra de sonido y el subwoofer.
- Antes de conectar el cable de alimentación CA, asegúrese de haber completado todas las demás conexiones.


3.4 Emparejamiento del subwoofer inalámbrico con la barra de sonido

El subwoofer inalámbrico y la barra de sonido se emparejan fuera de fábrica.

Emparejamiento automático

- 1 Conecte el cable de conexión de SoundMount dedicado a la barra de sonido.
- 2 Conecte el subwoofer a la toma de corriente.
- 3 Pulse el botón  en la barra de sonido o en el mando a distancia para encender la barra de sonido.
 - > Cuando el subwoofer está en proceso de emparejado con la barra de sonido, el indicador parpadea rápidamente.
 - > Cuando el subwoofer está emparejado con la barra de sonido, el indicador permanece encendido de manera constante.
 - > Durante el modo de espera (STANDBY), el indicador del subwoofer se apaga y parpadea lentamente.

Emparejamiento manual

- 1 Conecte el cable de conexión de SoundMount dedicado a la barra de sonido.
- 2 Conecte el subwoofer a la toma de corriente.
- 3 Compruebe que la barra de sonido se encuentra en modo de espera (STANDBY).
- 4 Mantenga pulsado el botón de emparejamiento inalámbrico de la parte inferior del subwoofer durante unos segundos.
 - > El subwoofer entrará en modo de emparejamiento y el indicador parpadeará rápidamente.
- 5 Pulse el botón  en la barra de sonido o en el mando a distancia para encender la barra de sonido.
 - > Una vez establecida la conexión inalámbrica, el indicador permanecerá encendido de manera constante.
 - > Si el indicador continúa parpadeando o no parpadea en absoluto, significa que la conexión inalámbrica ha fallado.
 - Desconecte el cable del subwoofer.
 - Vuelva a conectar el cable principal tras 3 minutos.
 - Repita los pasos 1 - 5.

¡Notas!

- Si la conexión inalámbrica vuelve a fallar, compruebe si existe algún conflicto o interferencia potente (por ejemplo, interferencia procedente de un dispositivo electrónico) en su entorno.
- El subwoofer debe encontrarse a menos de 6 m de la barra de sonido en una zona abierta.
- Si la barra de sonido no está conectada al subwoofer y se encuentra en modo de conexión, se mostrará el mensaje 'CHECK SUBWOOFER' ('Comprobar subwoofer') en el display y el indicador de la parte inferior del subwoofer parpadeará. Repita los pasos 1 - 5 anteriores para emparejar el subwoofer con la barra de sonido.

4. FUNCIONAMIENTO GENERAL

4.1 Uso del mando a distancia del TV

Cuando la toma de conexión HDMI ARC de la barra de sonido se conecta a la toma de conexión HDMI ARC del televisor a través del cable HDMI y se activa la función CEC en el menú de configuración del televisor, puede utilizar el mando a distancia del televisor para controlar SoundMount (barra de sonido y subwoofer).

- Al encender el televisor, SoundMount (barra de sonido y subwoofer) se encenderá automáticamente.
- Al apagar o poner en espera (STANDBY) el televisor, SoundMount se apagará (modo de espera) automáticamente.
- Cuando está encendido SoundMount, el volumen del sonido se puede controlar con los botones VOLUME - / VOLUME + y MUTE del mando a distancia del televisor.

¡Nota!

- Para poder controlar SoundMount con el mando a distancia del televisor, es importante activar la función HDMI CEC (control de electrónica de consumo) en el menú de configuración del televisor. Esta función tiene un nombre diferente para cada marca de TV: Anynet (Samsung), Aquos Link (Sharp), Bravia Sync (Sony), Regza Link (Toshiba), Simplink (LG), Viera Link Panasonic), EZ-Sync (JVC), Easylink (Phillips), Netcommand (Mitsubishi). Los altavoces internos del televisor se desactivarán automáticamente cuando se encienda el televisor y se conecte automáticamente la barra de sonido.

4.2 Uso del mando a distancia incluido (barra de sonido)



Cuando la toma de conexión HDMI ARC de la barra de sonido se conecta a la toma de conexión HDMI ARC del televisor a través del cable HDMI y se activa la función CEC en el menú de configuración del televisor, puede utilizar el mando a distancia del televisor para controlar SoundMount (barra de sonido y subwoofer).

En este caso, solo necesita el mando a distancia incluido (barra de sonido) para realizar la configuración inicial de las preferencias personales (agudos, graves, nivel de brillo del display de la barra de sonido) y para controlar funciones especiales como transmisión de audio Bluetooth.

Si la barra de sonido y el televisor se conectan a través de una conexión óptica, el mando a distancia incluido (barra de sonido) debe utilizarse también para controlar el volumen del televisor de SoundMount, seleccionar la fuente, etc. No se puede controlar el volumen de sonido con el mando a distancia del televisor. Los altavoces internos del televisor deben apagarse manualmente. Consulte el menú de configuración del televisor.

Standby / ON

Al conectar por primera vez la barra de sonido a la toma de conexión de red, la barra de sonido se encontrará en modo de espera (STANDBY) y el indicador de espera se enciende en rojo.

- Pulse el botón  en la barra de sonido o el mando a distancia del televisor para encender la barra de sonido.
- Vuelva a pulsar el botón  para poner la barra de sonido en modo de espera (STANDBY) de nuevo.
> El indicador de modo de espera se enciende en color rojo.
- Si desea apagar la barra de sonido completamente, desconecte el enchufe de alimentación de la toma.

¡Nota!

- Cuando la barra de sonido está inactiva durante aproximadamente 15 minutos, pasará automáticamente a modo en espera (STANDBY).

Selección de modos

- Pulse el botón SOURCE (Fuente) en la barra de sonido varias veces o pulse los botones HDMI 1 / HDMI 2 / ARC / BT (Bluetooth) / OPT (Óptico) / AUX / MP3 en el mando a distancia para seleccionar el modo deseado. El modo seleccionado aparecerá en el display.

¡Nota!

- Al conectar la toma de conexión HDMI ARC de la barra de sonido a la toma de conexión HDMI ARC del televisor a través de un cable HDMI y activar la función CEC en el menú de configuración del televisor, si selecciona SOURCE (Fuente) cambiará automáticamente a 'TV ARC' (SoundMount).

Ajuste de refuerzo de graves Super Bass Boost

- Pulse los botones BASS + / BASS- del mando a distancia para ajustar el nivel de refuerzo de graves de -3 a +3.
> Se guardará automáticamente el nivel de GRAVES seleccionado por fuente.

Ajuste del nivel de agudos

- Pulse los botones TREB + / TREB - del mando a distancia para ajustar el nivel de agudos de -3 a +3.
> Se guardará automáticamente el nivel de AGUDOS seleccionado por fuente.

Ajuste del volumen

- Pulse los botones VOL + / VOL - de la barra de sonido para ajustar el volumen.
- Pulse el botón MUTE (Silenciar) en el mando a distancia del televisor para apagar el sonido.
- Vuelva a pulsar el botón MUTE (Silenciar) en el mando a distancia o pulse el botón VOL+ en la barra de sonido para restaurar el volumen normal.

Selección del ecualizador

- Pulse el botón EQ en el mando a distancia para seleccionar el ajuste de ecualizador MOVIE (Película) o SPEECH (Discurso).
> Después de apagar y encender, el ajuste del ecualizador volverá automáticamente al modo MOVIE (Película).

Ajuste del brillo de la pantalla

- Pulse el botón DIM+ / DIM- en el mando a distancia para seleccionar el nivel de brillo.
> Se guardará automáticamente el nivel de BRIGHTNESS (BRILLO) seleccionado.

Ajuste del temporizador de apagado

Utilice el temporizador de apagado (SLEEP TIMER) para apagar el sistema tras un determinado número de minutos en modo de reproducción. El ajuste del temporizador de apagado permite dormirse tranquilamente escuchando música sabiendo que el sistema se apagará solo en lugar de permanecer encendido toda la noche.

- 1 En modo encendido, pulse el botón SLEEP del mando a distancia varias veces para seleccionar el número de minutos deseado. El número de minutos aparecerá en el orden siguiente:
SLEEP 120 - SLEEP 90 - SLEEP 60 - SLEEP 30 - SLEEP 15 - SLEEP 00.
- 2 Cuando se muestren los minutos deseados, deje de pulsar el botón SLEEP.
> El temporizador de apagado está configurado.
- 3 Para cancelar el temporizador de apagado (SLEEP TIMER), pulse el botón SLEEP varias veces hasta que se muestre 'SLEEP 00'.

5. FUNCIONAMIENTO AUX / MP3 LINK / OPTICAL / HDMI

- 1 Compruebe que el dispositivo de sonido está conectado a la barra de sonido.
- 2 Pulse el botón SOURCE (Fuente) en la barra de sonido varias veces o pulse los botones HDMI 1 / HDMI 2 / ARC / OPT (ÓPTICA) / AUX / MP3 en el mando a distancia de la barra de sonido para seleccionar el modo deseado.
- 3 Utilice directamente las funciones de reproducción del dispositivo de sonido.
- 4 Pulse los botones VOL + / VOL - en la barra de sonido para ajustar el volumen al nivel deseado.

¡Nota!

- Mientras se cambia la barra de sonido a modo OPTICAL o HDMI es posible que deba cambiar a la salida PCM (modulación de código de impulso) lineal del dispositivo fuente (por ejemplo, TV, reproductor de DVD o Blu-ray).
- Los periféricos de audio y vídeo deben conectarse al televisor.

6. REPRODUCCIÓN CON UN DISPOSITIVO BLUETOOTH

Puede escuchar pistas de un dispositivo multimedia si está conectado a la barra de sonido a través de Bluetooth.

6.1 Emparejamiento manual de dispositivos Bluetooth

La primera vez que conecte un dispositivo Bluetooth a la barra de sonido, será necesario emparejar el dispositivo con la barra de sonido.



¡PRECAUCIÓN!

- El alcance operativo entre la barra de sonido y el dispositivo es de aproximadamente 8 metros (sin ningún objeto entre el dispositivo Bluetooth y la barra de sonido).
- Antes de conectar un dispositivo Bluetooth a la barra de sonido, asegúrese de conocer las capacidades del dispositivo.
- No se garantiza la compatibilidad con todos los dispositivos Bluetooth.
- Los obstáculos entre el dispositivo y la barra de sonido pueden reducir el alcance operativo.
- Si la intensidad de la señal es débil, el receptor Bluetooth podría desconectarse, pero volverá al modo de emparejamiento automáticamente.

6.2 Conexión del dispositivo a la barra de sonido mediante Bluetooth

- 1 Encienda la barra de sonido.
 - 2 Pulse el botón SOURCE (Fuente) en la barra de sonido varias veces o el botón BT del mando a distancia para seleccionar el modo BT (Bluetooth).
> El display muestra 'BT', a continuación, 'NO BT' (si no hay ningún dispositivo Bluetooth conectado).
 - 3 Pulse el botón PAIR (Emparejar) en el mando a distancia durante unos segundos para activar el emparejado Bluetooth.
> El display muestra 'PAIR'.
 - 4 Active el dispositivo Bluetooth y seleccione el modo de SEARCH (búsqueda).
> 'Vogel's SoundMount' (SoundMount de Vogel's) aparecerá en la lista de dispositivos Bluetooth.
 - 5 Seleccione 'Vogel's SoundMount' e introduzca la contraseña '0000' si es necesario.
> El display muestra 'BLUEPORT' cuando la conexión se ha efectuado correctamente.
- Para desconectar la función Bluetooth, cambie a otra función en la barra de sonido o desactive la función del dispositivo Bluetooth.

6.3 Escuchar música desde el dispositivo Bluetooth

- Si el dispositivo Bluetooth conectado admite perfil de distribución de audio avanzado (A2DP), puede escuchar música almacenada en el dispositivo a través del reproductor.
 - Si el dispositivo admite también perfil de control remoto de audio y vídeo (AVRCP), puede usar el mando a distancia de la barra de sonido para reproducir música almacenada en el dispositivo.
- 1 Empareje el dispositivo con la barra de sonido.
 - 2 Reproduzca música a través del dispositivo (si admite A2DP).
 - 3 Utilice el mando a distancia para controlar la reproducción (si admite AVRCP).

- Pulse el botón ►|| para poner en pausa/reanudar la reproducción.
- Pulse los botones ◀◀ / ▶▶ para saltar a una pista.

7. ADVERTENCIAS Y EXENCIÓN DE RESPONSABILIDAD

Para mantener la validez de la garantía, no intente reparar nunca la barra de sonido o el subwoofer inalámbrico por sí mismo. Si encuentra algún problema al utilizar SoundMount, póngase en contacto con su distribuidor Vogel's.

Bluetooth y HDMI son marcas comerciales registradas y son propiedad de sus respectivos propietarios.



La palabra Bluetooth y los logotipos son marcas comerciales registradas propiedad de Bluetooth SIG, Inc. y cualquier uso de dichas marcas por parte de Vogel's se realiza con licencia. Otras marcas comerciales y nombres de marcas son propiedad de sus respectivos propietarios.



El término HDMI y el logotipo de HDMI son marcas comerciales o marcas comerciales registradas de HDMI Licensing LLC en los Estados Unidos y otros países.

7.1 Precauciones relativas a las baterías

- Cuando no se vaya a utilizar el mando a distancia durante un periodo prolongado (más de un mes), extraiga la batería del mando a distancia para evitar fugas.
- Si la batería genera fugas, limpie las fugas del interior del compartimento de la batería y sustituya la batería por otra nueva.
- No utilice baterías distintas a las especificadas.
- No caliente ni desmonte las baterías.
- No tire nunca las baterías al fuego o agua.
- No transporte ni guarde las baterías con otros objetos metálicos puesto que podrían ocasionarse cortocircuitos, fugas o explosiones.
- Nunca recargue una batería a menos que haya confirmado que es de tipo recargable.

Instrucciones de eliminación WEE

No elimine este dispositivo, el mando a distancia o su batería con los residuos domésticos sin clasificar. Una eliminación incorrecta podría dañar el medio ambiente y ser perjudicial para la salud. Consulte a la autoridad local para obtener más información sobre los sistemas de recogida y devolución de su zona.



Conformidad CE

Este producto cumple los requisitos esenciales y otras disposiciones aplicables recogidos en las Directivas 2006/95/EC (Baja tensión), 2004/108/CE (Compatibilidad Electromagnética) y 2011/65/EU (Restricciones a la utilización de determinadas sustancias peligrosas en aparatos eléctricos y electrónicos).

8. ESPECIFICACIONES

Barra de sonido

Requisitos de alimentación	CA 220-240 V 50/60 Hz
Consumo de energía medio durante el funcionamiento	60 W
Consumo de energía en espera (Standby) inferior a	0,5 W
Potencia de salida RMS	75 W x 2
Distorsión total de armónicos	1%(1 kHz, 1 W)
Sensibilidad de entrada de audio	700 mV
Respuesta de frecuencia	180 Hz - 20 kHz
Impedancia total	6 Ω
Dimensiones (Anch. x Alt. x Prof.)	950 x 86 x 52 mm

Subwoofer

Requisitos de alimentación	CA 220-240 V 50/60 Hz
Consumo de alimentación medio durante el funcionamiento	60 W
Consumo de alimentación Standby power consumption less than	0.5 W
Potencia de salida	150 W
Respuesta de frecuencia	40 Hz - 150 kHz
Impedancia	3 Ω
Dimensiones (Anch. x Alt. x Prof.)	419 x 312 x 150 mm

Mando a distancia

Distancia	6 m
Ángulo	30°

9. ACCESORIOS SUMINISTRADOS

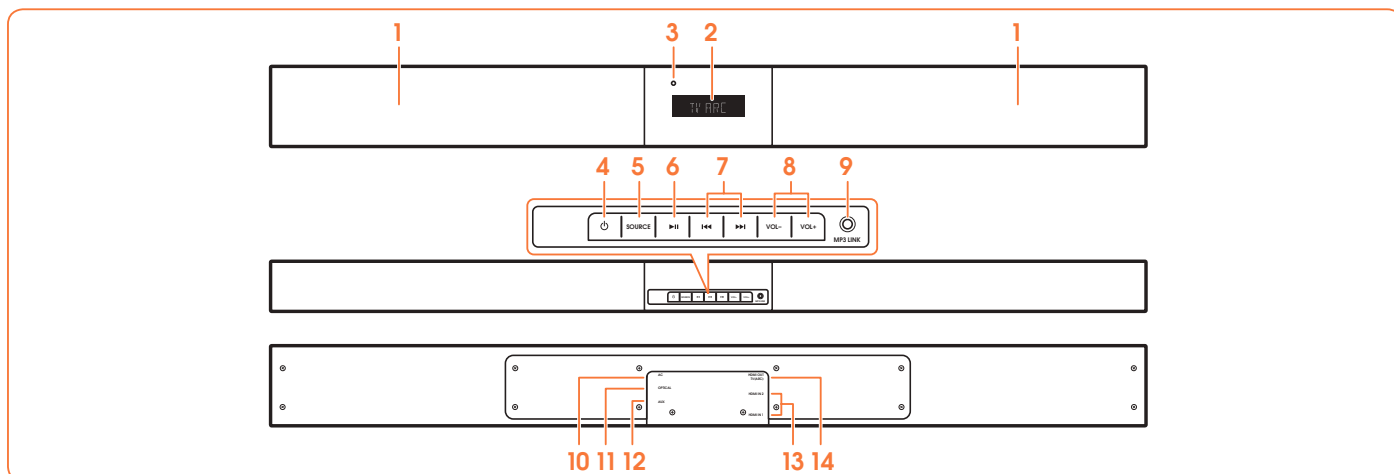
Cable de alimentación CA	2 x
Cable HDMI	1 x
Mando a distancia	1 x

IT SOMMARIO

1 IDENTIFICAZIONE DEI COMPONENTI.....	48
1.1 Barra audio.....	48
1.2 Subwoofer senza fili.....	49
1.3 Telecomando.....	49
2 PREPARAZIONI.....	50
2.1 Preparazione del telecomando.....	50
2.2 Utilizzo del telecomando per la prima volta.....	50
2.3 Sostituzione della batteria del telecomando.....	50
3 CONNESSIONI.....	51
3.1 Connessione HDMI (ARC) standard.....	51
3.2 Connessione MP3 Link.....	51
3.3 Connessione di alimentazione.....	51
3.4 Accoppiamento del subwoofer senza fili alla barra audio.....	52
Accoppiamento automatico.....	52
Accoppiamento manuale.....	52
4 FUNZIONAMENTO GENERALE.....	52
4.1 Utilizzo del telecomando della TV.....	52
4.2 Utilizzo del telecomando fornito (Barra audio).....	52
Standby / ON.....	52
Selezionare la modalità.....	53
Regolazione del Super Bass Boost.....	53
Regolazione del livello degli alti.....	53
Regolazione del volume.....	53
Selezione dell'equalizzatore.....	53
Regolazione della luminosità dello schermo.....	53
Impostazione del timer di spegnimento automatico.....	53
5 GIOCARE CON IL DISPOSITIVO BLUETOOTH.....	53
6 GIOCARE CON IL DISPOSITIVO BLUETOOTH.....	53
6.1 Accoppiamento manuale dei dispositivi abilitati Bluetooth.....	53
6.2 Connessione del dispositivo alla barra audio tramite Bluetooth.....	53
6.3 Ascoltare la musica dal dispositivo Bluetooth.....	54
7 AVVERTENZE E LIBERATORIE.....	54
7.1 Precauzioni sulle batterie.....	54
8 SPECIFICHE.....	54
9 ACCESSORI FORNITI.....	54

1. IDENTIFICAZIONE DEI COMPONENTI

1.1 Barra audio



1 Altoparlanti

2 Schermo/ Sensore telecomando

- Mostra lo stato corrente.
- Riceve il segnale dal telecomando.

3 Indicatore standby

Si accende di rosso quando l'unità si trova in modalità STANDBY.

4

Alterna la barra audio fra la modalità ON e STANDBY.

5 SOURCE (FONTE)

Alterna fra le modalità BT (Bluetooth), OPT (OPTICAL), AUX, HDMI 1, HDMI 2, HDMI ARC e MP3 LINK.

6

Play/pausa/riprendi playback in modalità Bluetooth.

7

Passa alla traccia precedente/passa alla traccia successiva in modalità Bluetooth.

8 VOL+ / VOL-

Aumenta/diminuisce il livello del volume.

9 Presa MP3 LINK

Per collegarsi a un dispositivo audio esterno.

10 Presa AC ~

Per collegare il cavo di alimentazione.

11 Presa OPTICAL (OTTICA)

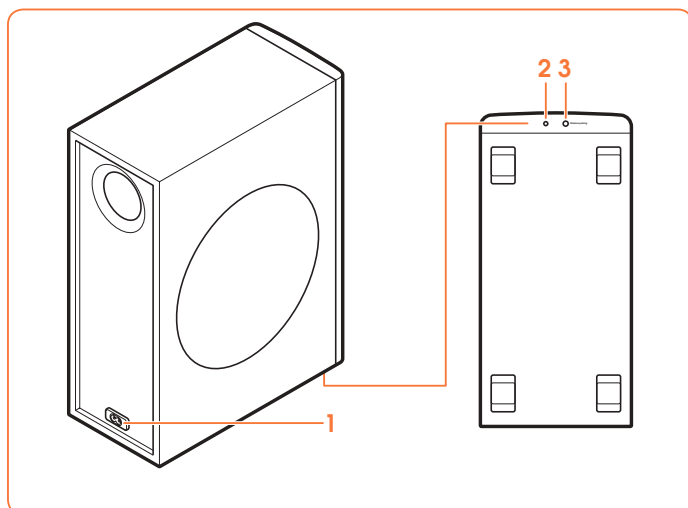
12 Presa AUX

13 Prese HDMI 1 /HDMI 2

14 Presa HDMI OUT TV ARC

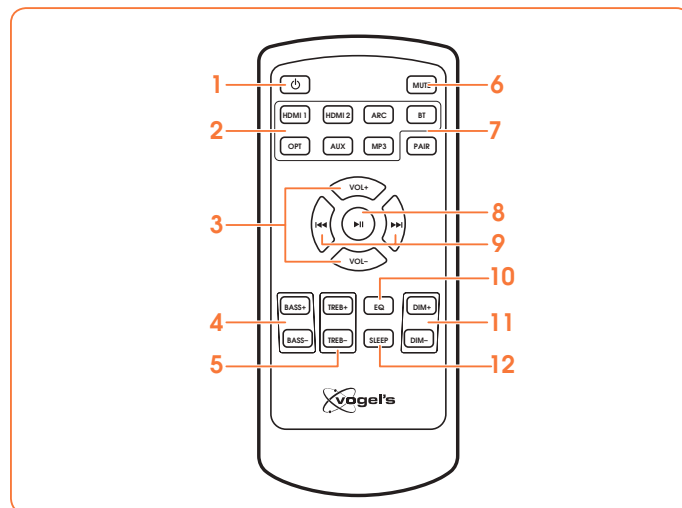
Uscita HDMI (ARC).



1.2 Subwoofer senza fili



- 1 Ingresso AC ~**
Si collega al cavo di alimentazione.
- 2 Indicatore**
Si accende quando l'accoppiamento avviene correttamente.
- 3 Pulsante di accoppiamento wireless**
Si collega alla barra audio.

1.3 Telecomando



- 1** 
Alterna la barra audio fra la modalità ON e STANDBY.
- 2 SOURCE (FONTE)**
Selezionare la modalità di riproduzione desiderata.
- 3 VOL+ / VOL-**
Aumenta/diminuisce il livello del volume.
- 4 BASS+ / BASS-**
Regola il livello dei bassi.
- 5 TREB+ / TREB-**
Regolazione del livello degli alti.
- 6 MUTE**
Toglie il suono o riprende il suono.
- 7 PAIR**
- Attiva la funzione di accoppiamento in modalità Bluetooth.
- Scollega il dispositivo Bluetooth accoppiato esistente.
- 8** 
Play/pausa/riprende playback in modalità Bluetooth.
- 9** 
Passa alla traccia precedente/passa alla traccia successiva in modalità Bluetooth.
- 10 EQ**
Seleziona l'equalizzatore preimpostato.
- 11 DIM+ / DIM-**
Regola la luminosità dello schermo.
- 12 SLEEP**
Imposta la modalità timer di spegnimento.

2. PREPARAZIONI

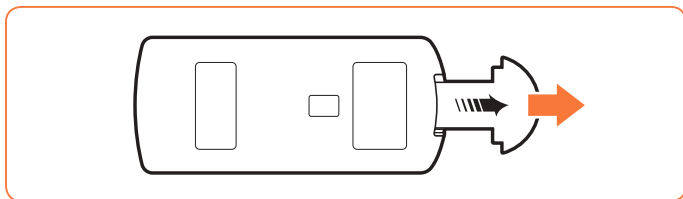
2.1 Preparazione del telecomando

Il telecomando fornito consente di operare l'unità a distanza.

- Anche se il telecomando viene utilizzato entro la distanza effettiva (6 m), l'utilizzo del telecomando potrebbe non essere possibile in presenza di ostacoli fra la barra audio e il telecomando.
- Se il telecomando viene utilizzato vicino ad altri prodotti che generano dei raggi infrarossi, o se altri dispositivi di comando a distanza che utilizzano raggi infrarossi vengono usati vicino alla barra audio, esso potrebbe non funzionare correttamente. Di conseguenza, gli altri prodotti potrebbero non funzionare correttamente.

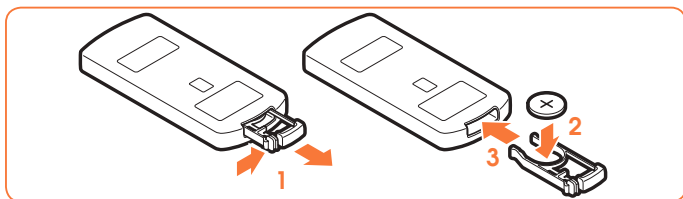
2.2 Utilizzo del telecomando per la prima volta

La barra audio ha una batteria al litio CR2025 pre-installata.



- Rimuovere la linguetta protettiva per attivare la batteria del telecomando

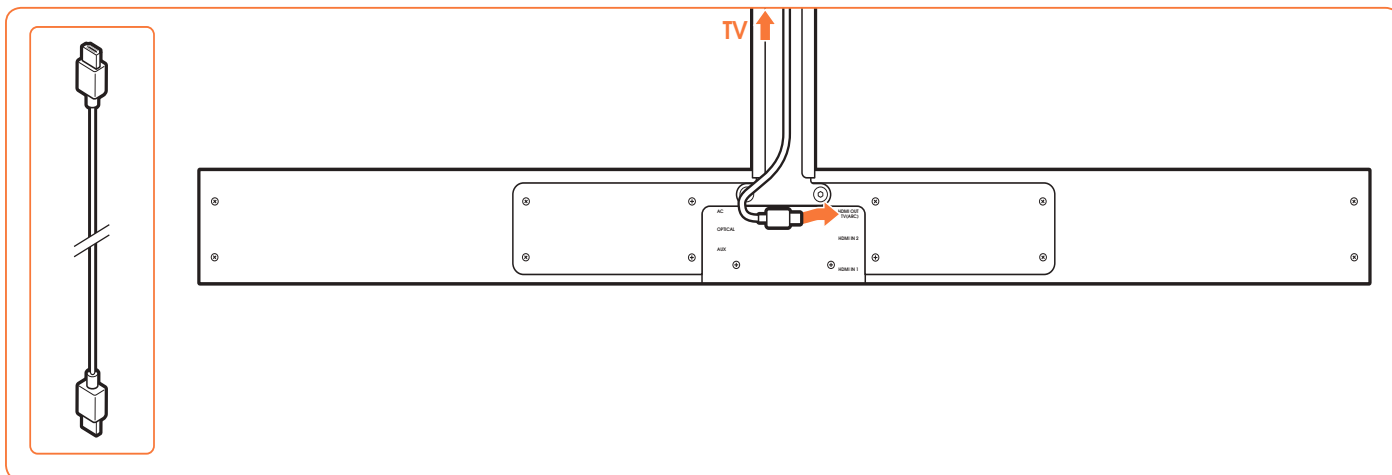
2.3 Sostituzione della batteria del telecomando



- 1 Estrarre il vano batteria e rimuovere la vecchia batteria.
- 2 Inserire una nuova batteria CR2025 nel vano batteria con la polarità corretta (+/-) come indicato.
- 3 Rimettere il vano batteria nell'apposita cavità.

3. CONNESSIONI

3.1 Connessione HDMI standard



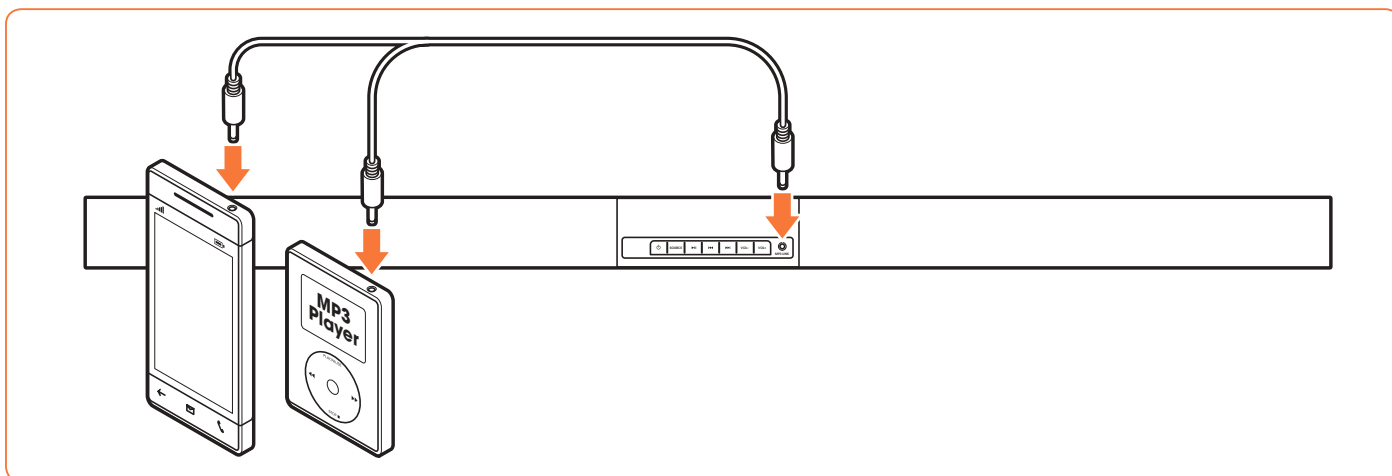
- La configurazione del SoundMount si basa su una connessione HDMI fra la presa HDMI ARC della barra audio e la presa HDMI ARC della TV.

Nota!

ARC = Audio Return Channel.

- Nel caso in cui la TV non sia dotata di una presa HDMI ARC, si può collegare la barra audio e la TV con un cavo ottico (non incluso).

3.2 Connessione MP3 Link



- Collegare una cavo audio 3,5mm a 3,5mm (non incluso) alla presa MP3 LINK (9) sulla barra audio e la presa di uscita audio su un dispositivo audio esterno. Ad esempio un lettore MP3, iPhone, ecc.

3.3 Connessione di alimentazione


ATTENZIONE!

- Rischio di danneggiare il prodotto! Controllare che la tensione di alimentazione corrisponda al voltaggio stampato sul retro della barra audio e del subwoofer.
- Prima di collegare il cavo di alimentazione AC, accertarsi di aver completato tutte le altre connessioni.


3.4 Accoppiamento del subwoofer senza fili alla barra audio

Il subwoofer senza fili e la barra audio vengono accoppiati in fabbrica.

Accoppiamento automatico

- 1 Collegare alla barra audio il cavo di alimentazione SoundMount dedicato.
- 2 Collegare il subwoofer nelle prese di corrente.
- 3 Premere il pulsante  sulla barra audio o sul telecomando per accendere la barra audio.
 - > Il subwoofer e la barra audio si accoppieranno automaticamente entro 30 secondi.
 - > Quando il subwoofer si sta accoppiando con la barra audio, la spia lampeggerà velocemente.
 - > Quando il subwoofer è accoppiato con la barra audio, la spia rimarrà accesa fissa.
 - > Durante la modalità STANDBY, la spia del subwoofer si spegnerà e lampeggerà lentamente.

Accoppiamento manuale

- 1 Collegare alla barra audio il cavo di alimentazione SoundMount dedicato.
- 2 Collegare il subwoofer nelle prese di corrente.
- 3 Controllare che la barra audio si trovi in modalità STANDBY.
- 4 Tenere premuto il tasto di accoppiamento Wireless nella parte inferiore del subwoofer per alcuni secondi.
 - > Il subwoofer entrerà in modalità di accoppiamento e la spia lampeggerà velocemente.
- 5 Premere il pulsante  sulla barra audio o sul telecomando per accendere la barra audio.
 - > Una volta che la connessione wireless è riuscita, la spia rimarrà accesa fissa.
 - > Se la spia continua a lampeggiare o non lampeggia del tutto, significa che la connessione wireless non è riuscita.
 - Staccare il cavo del subwoofer.
 - Ricollegare il cavo di alimentazione dopo 3 minuti.
 - Ripetere i passaggi da 1 a 5.

Note!

- Se la connessione wireless continua a fallire, controllare se è presente un conflitto o una forte interferenza (ad esempio, interferenza da un dispositivo elettronico) nei paraggi. Eliminare questi conflitti o forti interferenze e ripetere le procedure sopracitate.
- Il subwoofer deve trovare a 6 mt dalla barra audio in un'area aperta.
- Se la barra audio non è connessa al subwoofer e si trova in modalità On, allora sul display verrà visualizzato il messaggio 'CONTROLLA SUBWOOFER' e la spia nella parte inferiore del subwoofer lampeggerà. Ripetere i passaggi da 1 a 5 sopracitati per accoppiare il subwoofer alla barra audio.

4. FUNZIONAMENTO GENERALE

4.1 Utilizzo del telecomando della TV

Quando la presa HDMI ARC della barra audio è connessa alla presa HDMI ARC della TV tramite il cavo HDMI e la funzione CEC sulla TV è attivata nel menu di setup della TV, si può usare il telecomando della TV per controllare il SoundMount (barra audio e subwoofer).

- Quando la TV è accesa, il SoundMount (barra audio e subwoofer) si accenderà automaticamente.
- Quando la TV si trova su OFF / STANDBY, il SoundMount si spegnerà automaticamente (in STANDBY).
- Quando il SoundMount è acceso, il volume del suono si può controllare con i pulsanti VOLUME - / VOLUME + e MUTE sul telecomando della TV.

Nota!

- Per poter controllare il SoundMount con il telecomando della TV, è importante che la funzione HDMI CEC (Consumer Electronics Control) sia attivata nel menu di setup della TV. Questa funzione ha un nome differente per ogni marca di TV: Anynet (Samsung), Aquos Link (Sharp), Bravia Sync (Sony), Regza Link (Toshiba), Simplink (LG), Viera Link Panasonic), EZ-Sync (JVC), Easylink (Philips), Netcommand (Mitsubishi). Gli altoparlanti interni della TV verranno automaticamente disattivati quando la TV viene accesa e la barra audio si accende automaticamente.

4.2 Utilizzo del telecomando fornito (Barra audio)



Quando la presa HDMI ARC della barra audio è connessa alla presa HDMI ARC della TV tramite il cavo HDMI e la funzione CEC sulla TV è attivata nel menu di setup della TV, si può usare il telecomando della TV per controllare il SoundMount (barra audio e subwoofer).

In questo caso, vi servirà solo il telecomando fornito (barra audio) per le impostazioni iniziali delle preferenze personali (ALTI, BASSI, livello di luminosità dello schermo della barra audio) e per controllare le funzioni speciali come lo streaming audio in Bluetooth.

Nel caso in cui la barra audio e la TV siano connesse tramite un collegamento ottico, il telecomando fornito (barra audio) si dovrà usare anche per controllare il volume della TV. La selezione della fonte, ecc. per il SoundMount. Non è possibile controllare il volume del suono con il telecomando della TV. Gli altoparlanti interni devono essere spenti manualmente. Vedere il menu di setup della TV.

Standby / ON

Alla prima connessione della barra audio alla presa di corrente, la barra audio sarà in modalità STANDBY e la spia STANDBY si accenderà di rosso.

- Premere il pulsante  sulla barra audio o sul telecomando della TV per accendere la barra audio.
- Premere nuovamente il pulsante  per riportare la barra audio in modalità STANDBY.
 - > La spia di Standby si accenderà di rosso.
- Se si vuole spegnere la barra audio completamente, scollegare la spina di alimentazione dalla presa di corrente.

Nota!

- Quando la barra audio è inutilizzata per circa 15 minuti, entrerà automaticamente in modalità STANDBY.

Selezionare la modalità

- Premere ripetutamente il pulsante SOURCE sulla barra audio o i pulsanti HDMI 1 / HDMI 2 / ARC / BT (Bluetooth) / OPT (Optical) / AUX / MP3 sul telecomando per selezionare la modalità desiderata. La modalità selezionata verrà visualizzata sul display.

Nota!

- Quando la presa HDMI ARC della barra audio è connessa alla presa HDMI ARC della TV tramite il cavo HDMI e la funzione CEC sulla TV è attivata nel menu di setup della TV, la selezione SOURCE passerà automaticamente a 'TV ARC' (SoundMount).

Regolazione del Super Bass Boost

- Premere i pulsanti BASS + / BASS - sul telecomando per regolare il livello bass boost da -3 a +3.
> Il livello di BASSI selezionato verrà memorizzato automaticamente come fonte.

Regolazione del livello degli alti

- Premere i pulsanti TREB + / TREB - sul telecomando per regolare il livello degli alti da -3 a +3.
> Il livello di ALTI selezionato verrà memorizzato automaticamente come fonte.

Regolazione del volume

- Premere i pulsanti VOL + / VOL - sulla barra audio per regolare il volume.
- Premere il pulsante MUTE sul telecomando della TV per spegnere il suono.
- Premere nuovamente il pulsante MUTE sul telecomando della TV o premere il pulsante VOL+ sulla barra audio per riattivare il volume normale.

Selezione dell'equalizzatore

- Premere il pulsante EQ sul telecomando per selezionare l'impostazione dell'equalizzatore MOVIE o SPEECH.
> Dopo un accensione/spengimento, l'impostazione dell'equalizzatore ritornerà automaticamente in modalità MOVIE.

Regolazione della luminosità dello schermo

- Premere il pulsante DIM+ / DIM- sul telecomando per selezionare il livello di luminosità.
> Il livello di LUMINOSITA' selezionato verrà memorizzato automaticamente.

Impostazione del timer di spegnimento automatico

Usare il timer di spegnimento automatico per spegnere il sistema dopo un certo numero di minuti in modalità PLAY. Se si imposta il timer di spegnimento automatico, ci si può addormentare con la musica sapendo che il sistema si spegnerà da solo piuttosto che rimanere acceso tutta la notte.

- 1 In modalità ON, premere ripetutamente il pulsante SLEEP sul telecomando per selezionare il numero di minuti desiderato. Il numero di minuti verrà visualizzato nella seguente sequenza:
SLEEP 120 - SLEEP 90 - SLEEP 60 - SLEEP 30 - SLEEP 15 - SLEEP 00.
- 2 Non premere più il pulsante SLEEP quando viene visualizzato il numero di minuti desiderato.
> Il timer di spegnimento automatico è impostato.
- 3 Per cancellare il timer di spegnimento automatico, premere ripetutamente il pulsante SLEEP fino a quando non verrà visualizzato 'SLEEP 00'.

5. FUNZIONAMENTO AUX/MP3 LINK/OPTICAL/HDMI

- 1 Controllare che il dispositivo audio sia collegato alla barra audio.
- 2 Premere ripetutamente il pulsante SOURCE sulla barra audio o i pulsanti HDMI 1 / HDMI 2 / ARC / OPT (OPTICAL) / AUX / MP3 sul telecomando della barra audio per selezionare la modalità desiderata.
- 3 Utilizzare il dispositivo audio direttamente per le opzioni di playback.
- 4 Premere i pulsanti VOL + / VOL - sulla barra audio per regolare il volume al livello desiderato.

Nota!

- Potrebbe essere necessario passare all'uscita lineare PCM (Pulse Code Modulation) sul vostro dispositivo source (ad esempio TV, lettore DVD o Blu-Ray) mentre la barra audio passa in modalità OPTICAL o HDMI.
- Le periferiche A/V devono essere connesse alla TV.

6. RIPRODURRE CON IL DISPOSITIVO BLUETOOTH

Si possono ascoltare delle tracce da un dispositivo se connesso alla barra audio tramite Bluetooth.

6.1 Accoppiamento manuale dei dispositivi abilitati Bluetooth

La prima volta che si connette il dispositivo Bluetooth alla barra audio, il dispositivo deve essere accoppiato alla barra audio.



ATTENZIONE!

- La distanza operativa fra la barra audio e il dispositivo è di circa 8 metri (senza nessun oggetto fra il dispositivo Bluetooth e la barra audio).
- Prima di connettere un dispositivo Bluetooth alla barra audio, accertarsi di conoscere le capacità del dispositivo.
- La compatibilità con tutti i dispositivi Bluetooth non è garantita.
- Gli ostacoli fra il dispositivo e la barra audio possono ridurre la distanza operativa.
- Se la forza del segnale è debole, il vostro ricevitore Bluetooth potrebbe scollegarsi, ma rientrerà automaticamente in modalità di accoppiamento.

6.2 Connessione del dispositivo alla barra audio tramite Bluetooth

- 1 Accensione della barra audio.
- 2 Premere ripetutamente il pulsante SOURCE sulla barra audio o il pulsante BT sul telecomando per selezionare la modalità BT (Bluetooth).
> Il Display visualizza 'BT', quindi 'NO BT' (se non è connesso nessun dispositivo Bluetooth).
- 3 Premere per alcuni secondi il pulsante PAIR sul telecomando per attivare l'accoppiamento Bluetooth.
> Il display visualizza 'PAIR'.
- 4 Attivare il dispositivo Bluetooth e selezionare la modalità SEARCH (RICERCA).
> 'Vogel's SoundMount' apparirà sull'elenco dispositivi Bluetooth.

- 5 Selezionare 'Vogel's SoundMount' e digitare '0000' come password, se necessario.
> Il display visualizza 'BLUEPORT' quando la connessione è avvenuta con successo.
- Per scollegare la funzione Bluetooth, passare a un'altra funzione sulla barra audio o disattivare la funzione dal dispositivo Bluetooth.

6.3 Ascoltare la musica dal dispositivo Bluetooth

- Se il dispositivo Bluetooth connesso supporta Advanced Audio Distribution Profile (A2DP), si può ascoltare la musica memorizzata nel dispositivo usando il lettore.
- Se il dispositivo supporta anche Audio Video Remote Control Profile (AVRCP), si può usare il telecomando della barra audio per riprodurre la musica memorizzata nel dispositivo.

- 1 Accoppiamento del dispositivo con la barra audio.
 - 2 Riprodurre la musica con il vostro dispositivo (se supporta A2DP).
 - 3 Usare il telecomando per controllare la riproduzione (se supporta AVRCP).
- Premere il pulsante **▶||** per mettere in pausa/riavviare la riproduzione.
 - Premere i pulsanti **◀◀ / ▶▶** per passare a una determinata traccia.

7. AVVERTENZE E LIBERATORIE

Per mantenere valida la garanzia, non cercare mai di riparare da soli la barra audio e/o il subwoofer senza fili. In caso di problemi durante l'uso del SoundMount, si prega di contattare il proprio rivenditore Vogel's.

Bluetooth e HDMI sono dei marchi commerciali registrati e sono di proprietà dei rispettivi proprietari.

Bluetooth®

Il marchio e il logo Bluetooth sono dei marchi registrati di proprietà di Bluetooth SIG, INC. e qualsiasi utilizzo di tali marchi da parte di Vogel's è sotto licenza. Altri marchi commerciali e nomi commerciali sono quelli dei rispettivi proprietari.

HDMI®

Il termine HDMI e il logo HDMI sono marchi commerciali o marchi commerciali registrati di HDMI Licensing LLC negli Stati Uniti e in altri paesi.

7.1 Precauzioni sulle batterie

- Quando il telecomando non verrà usato per un lungo periodo di tempo (più di un mese), togliere la batteria dal telecomando per evitare che vi siano delle perdite.
- Se la batteria perde, pulire la perdita dal vano batteria e sostituire la batteria con una nuova.
- Non usare batterie diverse da quelle specificate.
- Non riscaldare o smontare le batterie.
- Non gettarle mai nel fuoco o nell'acqua.
- Non portare o conservare le batterie con altri oggetti metallici, perché questo potrebbe causare un corto circuito, una perdita o un'esplosione delle batterie.
- Non ricaricare mai una batteria a meno che non vi sia la certezza che si tratti di una batteria di tipo ricaricabile.

Istruzioni di smaltimento WEE

Non smaltire questo dispositivo, telecomando o la sua batteria insieme ai rifiuti domestici indifferenziati. Uno smaltimento non corretto potrebbe essere dannoso all'ambiente e alla salute umana. Si faccia riferimento alle proprie autorità locali per i rifiuti per avere informazioni sui sistemi di restituzione e raccolta nella vostra zona.



Conformità CE

Questo prodotto è conforme ai requisiti essenziali e alle altre disposizioni rilevanti delle Direttive 2006/95/CE (basso voltaggio), CEM2004/108/CE e 2011/65/UE (RoHS, restrizione all'uso di sostanze pericolose nelle apparecchiature elettriche ed elettroniche).

8. SPECIFICHE

Barra audio

Requisiti di alimentazione	AC 220-240 V 50/60 Hz
Consumo medio di elettricità durante il funzionamento	60 W
Consumo di elettricità in standby meno di.....	0.5 W
Potenza in uscita RMS.....	75 W x 2
Distorsione armonica totale.....	1%(1 kHz, 1 W)
Sensibilità ingresso audio.....	700 mV
Risposta di frequenza	180 Hz - 20 kHz
Impedenza totale.....	6 Ω
Dimensioni (L x A x P)	950 x 86 x 52 mm

Subwoofer

Requisiti di alimentazione	AC 220-240 V 50/60 Hz
Consumo medio di elettricità durante il funzionamento	60 W
Consumo di elettricità in standby meno di.....	0.5 W
Potenza in uscita	150 W
Risposta di frequenza	40 Hz - 150 kHz
Impedenza	3 Ω
Dimensioni (L x A x P)	419 x 312 x 150 mm

Telecomando

Distanza	6 mt
Angolo.....	30°

9. ACCESSORI FORNITI

Cavo di alimentazione AC	2 x
Cavo HDMI.....	1 x
Telecomando	1 x

